

PRODUCT DATA SHEET

Part number **111407**

EAN **4015609009350**

Manufacturer **WALTHER-WERKE**

WEEE-Reg.-Number: **DE 22131895**

Product description

Wall socket for internal fixing 16A 4P 7h with two knock-out cable entries both on top and bottom and one knock-out floor entry



Similar image





Detailed product description

WALTHER Wall socket 16A 4P 500V 7h IP44
 made from PA6 material
 with screw terminal
 for internal fixing
 with two knock-out cable entries both top and bottom
 and one knock-out floor entry

Ordering Information

Order unit	Piece
Customs number	85366990
Net weight	0,389 kg
Packing quantity (VPE)	5
Length of the packaging	
Width of the packaging	
Depth of the packaging	
Gross weight(VPE)	1,945 kg

Certificates

VDE certification	123017	
UL certification	No. E83342	
UL certification	No. E188992	
EAC certification	BY112.02.01.020 06089	

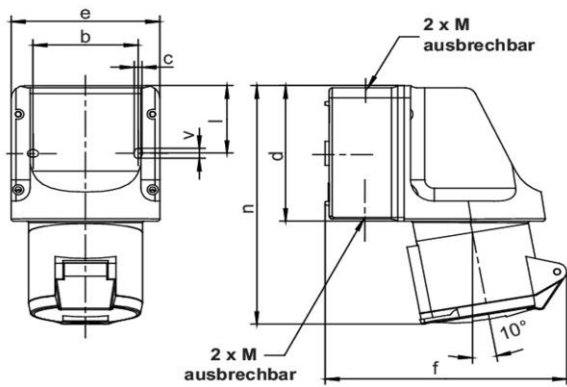
Classification system

Classification system	ETIM_6.0
ETIM Class	EC001321

Technical product data

Model	Surface mounted (plaster)
IEC-amperage	16 A
Amperage acc. UL/CSA (for UL-version)	20 A
Number of poles	4
Voltage acc. EN 60309-2	500 V (50+60 Hz) black
Clock hour position	7 h
Identification colour	Black
RAL-number	9005
Degree of protection (IP)	IP44
Connection system	Screwed terminal
Material	Plastic
Type of fastening	Inner lying mounting
Insulated mounting	True

Dimension sheet



Amp.	16			32		
	3	4	5	3	4	5
b	66,5	66,5	66,5	66,5	66,5	66,5
c	5	5	5	5	5	5
d	96	96	96	96	96	96
e	95	95	95	95	95	95
f	140	143	146	154	154	157
l	47,5	47,5	47,5	47,5	47,5	47,5
n	160	164	164	173	173	173
v	7	7	7	7	7	7
M	20/25	20/25	20/25	20/25	20/25	20/25