

## PRODUCT DATA SHEET

---

Part number	11152
EAN	4015609006014
Manufacturer	WALTER-WERKE
WEEE-Reg.-Number:	DE 22131895

### Product description

---

NORVO wall socket for external fixing 32A 3P 4h for low voltage with one top cable entry



Similar image

### Detailed product description

---

WALTER Wall socket 32A 3P 42V 4h IP44  
 low-voltage connector from the NORVO series  
 made from PA6 material  
 in purple  
 with one top cable entry  
 for external fixing  
 outer dimensions 81x70mm

### Ordering Information

---

Order unit	Piece
Customs number	85366990
Net weight	0,182 kg
Packing quantity (VPE)	10
Length of the packaging	0,31 m
Width of the packaging	0,195 m
Depth of the packaging	0,14 m
Gross weight(VPE)	1,968 kg

### Classification system

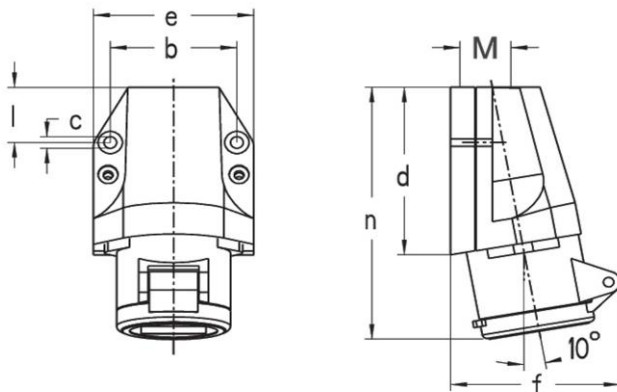
---

Classification system	ETIM_6.0
ETIM Class	EC001321

## Technical product data

Model	Surface mounted (plaster)
IEC-amperage	32 A
Amperage acc. UL/CSA (for UL-version)	30 A
Number of poles	3
Voltage acc. EN 60309-2	20-25 V / 40-50 V (100-200 Hz) green
Clock hour position	4 h
Identification colour	Green
RAL-number	6025
Degree of protection (IP)	IP44
Connection system	Screwed terminal
Material	Plastic
Type of fastening	External mounting
Insulated mounting	True

## Dimension sheet



Amp.	16		32	
	2	3	2	3
b	54,5	54,5	54,5	54,5
c	5,2	5,2	5,2	5,2
d	81	81	81	81
e	70	70	70	70
f	72	72	72	72
l	28	28	28	28
n	119	119	119	119
M	25	25	25	25