

PRODUCT DATA SHEET

Part number 11222

EAN 4015609006250

Manufacturer WALTHER-WERKE

WEEE-Reg.-Number: DE 22131895

Product description

NORVO plug 32A 2P 4h for low voltage with large cable gland, PG 21



Similar image

Detailed product description

WALTHER Plug 32A 2P 42V 4h IP44
 low-voltage connector from the NORVO series
 made from PA6 material
 in purple
 with large cable gland PG 21

Ordering Information

Order unit	Piece
Customs number	85366990
Net weight	0,115 kg
Packing quantity (VPE)	10
Length of the packaging	0,31 m
Width of the packaging	0,195 m
Depth of the packaging	0,14 m
Gross weight(VPE)	1,298 kg

Classification system

Classification system ETIM_6.0

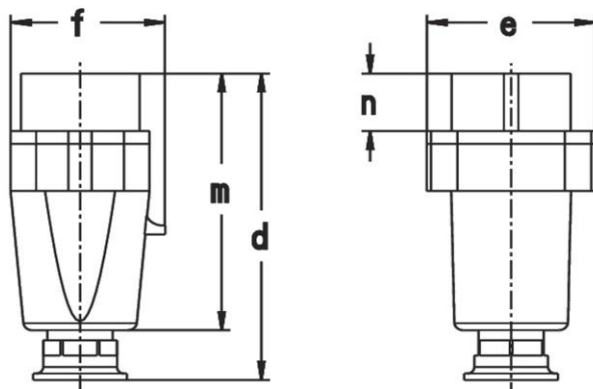
ETIM Class

EC000140

Technical product data

IEC-amperage	32 A
Amperage acc. UL/CSA (for UL-version)	30 A
Number of poles	2
Voltage acc. EN 60309-2	20-25 V / 40-50 V (100-200 Hz) green
Clock hour position	4 h
Identification colour	Green
RAL-number	6025
Degree of protection (IP)	IP44
Connection system	Screwed terminal
Cable entry	Swivel
Angle of plug	Straight
Material	Plastic

Dimension sheet



Amp.	16		32	
Pole	2	3	2	3
d	128	128	128	128
e	59	59	59	59
f	55	55	55	55
m	99	99	99	99
n	22,5	22,5	22,5	22,5
Øp	7,5-19,5	7,5-19,5	7,5-19,5	7,5-19,5