

PRODUCT DATA SHEET

Part number 11286

EAN 4015609006502

Manufacturer WALTHER-WERKE

WEEE-Reg.-Number: DE 22131895

Product description

NORVO plug 32A 2P 10h for low voltage with grommet



Similar image

Detailed product description

WALTHER Plug 32A 2P 42V 10h IP44
 low-voltage connector from the NORVO series
 made from PA6 material
 in purple
 with grommet

Ordering Information

Order unit	Piece
Customs number	85366990
Net weight	0,11 kg
Packing quantity (VPE)	10
Length of the packaging	0,31 m
Width of the packaging	0,195 m
Depth of the packaging	0,14 m
Gross weight(VPE)	1,248 kg

Classification system

Classification system ETIM_6.0

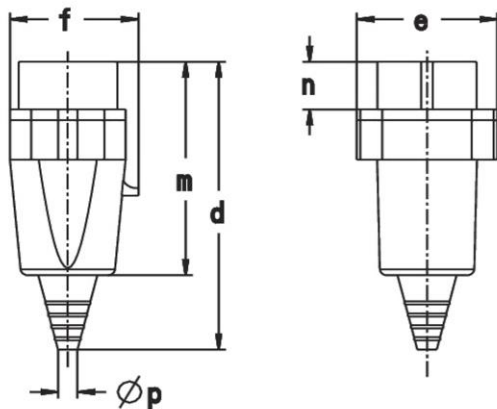
ETIM Class

EC000140

Technical product data

IEC-amperage	32 A
Amperage acc. UL/CSA (for UL-version)	30 A
Number of poles	2
Voltage acc. EN 60309-2	<50 V DC grey
Clock hour position	10 h
Identification colour	Grey
RAL-number	7035
Degree of protection (IP)	IP44
Connection system	Screwed terminal
Cable entry	Anti-kink sleeve
Angle of plug	Straight
Material	Plastic

Dimension sheet



Amp.	16		32	
Pole	2	3	2	3
d	135	135	135	135
e	59	59	59	59
f	55	55	55	55
m	99	99	99	99
n	22,5	22,5	22,5	22,5
$\varnothing p$	8/21	8/21	8/21	8/21