

## PRODUCT DATA SHEET

---

Part number 11354

---

EAN 4015609006762

Manufacturer WALTHER-WERKE

WEEE-Reg.-Number: DE 22131895

### Product description

---

NORVO coupler 32A 3P 3h for low voltage with cable gland, PG 16



Similar image

### Detailed product description

---

WALTHER Coupler 32A 3P 42V 3h IP44  
 low-voltage connector from the NORVO series  
 made from PA6 material  
 in purple

### Ordering Information

---

Order unit	Piece
Customs number	85366990
Net weight	0,158 kg
Packing quantity (VPE)	10
Length of the packaging	0,31 m
Width of the packaging	0,195 m
Depth of the packaging	0,14 m
Gross weight(VPE)	1,728 kg

### Classification system

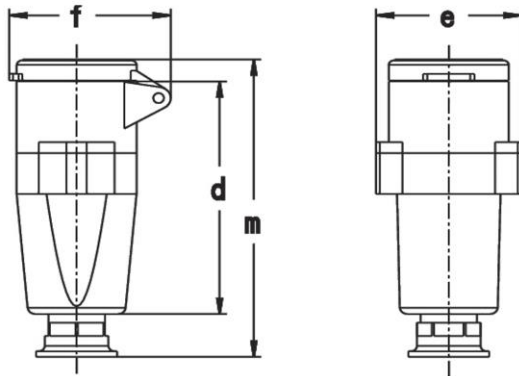
---

Classification system	ETIM_6.0
ETIM Class	EC001320

## Technical product data

IEC-amperage	32 A
Amperage acc. UL/CSA (for UL-version)	30 A
Number of poles	3
Voltage acc. EN 60309-2	20-25 V / 40-50 V (400 Hz) green
Clock hour position	3 h
Identification colour	Green
RAL-number	6025
Degree of protection (IP)	IP44
Connection system	Screwed terminal
Angle of plug	Straight
Cable entry	Swivel
Material	Plastic

## Dimension sheet



Amp.	16		32	
Pole	2	3	2	3
d	143	143	143	143
e	59	59	59	59
f	67	67	67	67
m	104	104	104	104
Øp	7,5 - 14,5			