

## PRODUCT DATA SHEET

---

Part number **11541**

EAN	4015609007196
Manufacturer	WALTHER-WERKE
WEEE-Reg.-Number:	DE 22131895

### Product description

---

NORVO panel socket angled 32A 3P 12h for low voltage with flange 68x62mm



Similar image

### Detailed product description

---

WALTHER Panel socket 32A 3P 42V 12h IP44  
 low-voltage connector from the NORVO series  
 angled  
 made from PA6 material  
 in purple  
 flange center 68x62mm  
 fixing center 53x47mm

### Ordering Information

---

Order unit	Piece
Customs number	85366990
Net weight	0,122 kg
Packing quantity (VPE)	10
Length of the packaging	
Width of the packaging	
Depth of the packaging	
Gross weight(VPE)	1,22 kg

### Classification system

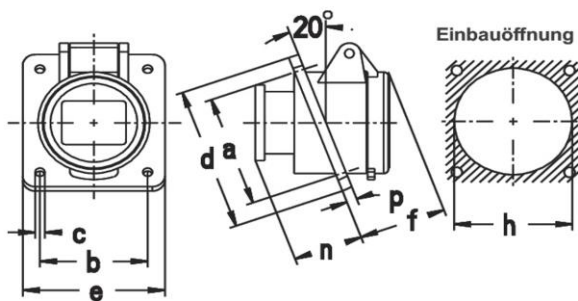
---

Classification system	ETIM_6.0
ETIM Class	EC001317

## Technical product data

IEC-amperage	32 A
Amperage acc. UL/CSA (for UL-version)	30 A
Number of poles	3
Voltage acc. EN 60309-2	40-50 V (50+60 Hz) white
Clock hour position	12 h
Identification colour	White
Degree of protection (IP)	IP44
Connection system	Screwed terminal
Angle of plug	Angled
Material	Plastic
Military model	False
Flange size vertical	68 mm
Drill hole distance vertical	53 mm
Flange size horizontal	62 mm
Drill hole distance horizontal	47 mm

## Dimension sheet



Amp.	16		32	
Pole	2	3	2	3
a	53	53	53	53
b	47	47	47	47
c	4,5	4,5	4,5	4,5
d	68	68	68	68
e	62	62	62	62
f	38	38	38	38
h	55	55	55	55
n	30	30	30	30
p	4,5	4,5	4,5	4,5

Befestigungsmaß = a + b, Flanschmaß = d + e