

PRODUCT DATA SHEET

Part number **163409**

EAN **4015609251346**

Manufacturer **WALTHER-WERKE**

WEEE-Reg.-Number: **DE 22131895**

Product description

Wall socket for internal fixing 63A 4P 9h with two top cable entries and two knock-out bottom cable entries



Similar image

Detailed product description

WALTHER Wall socket 63A 4P 230V 9h IP44
 made from PA6 material
 for internal fixing
 with two top cable entries
 and two knock-out bottom cable entries

Ordering Information

Order unit	Piece
Customs number	85366990
Net weight	1,83 kg
Packing quantity (VPE)	1
Length of the packaging	
Width of the packaging	
Depth of the packaging	
Gross weight(VPE)	1,83 kg

Certificates

VDE certification **40000707**



EAC certification

BY112.02.01.020 06089



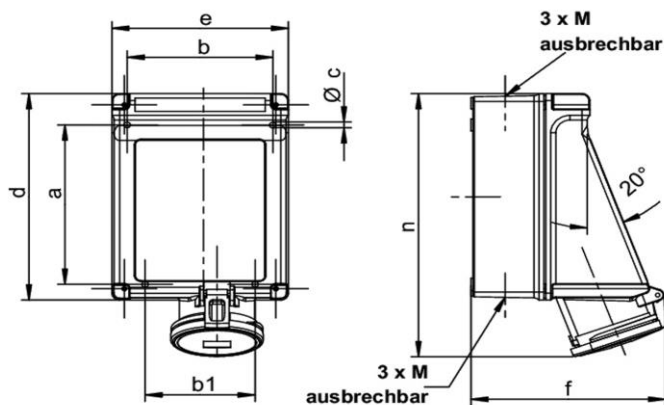
Classification system

Classification system	ETIM_6.0
ETIM Class	EC001321

Technical product data

Model	Surface mounted (plaster)
IEC-amperage	63 A
Amperage acc. UL/CSA (for UL-version)	60 A
Number of poles	4
Voltage acc. EN 60309-2	230 V (50+60 Hz) blue
Clock hour position	9 h
Identification colour	Blue
RAL-number	5002
Degree of protection (IP)	IP44
Connection system	Screwed terminal
Material	Plastic
Type of fastening	Inner lying mounting
Insulated mounting	True

Dimension sheet



Amp.	63		
Pole	3	4	5
a	183	183	183
b	151	151	151
b1	114	114	114
c	6,5	6,5	6,5
d	237	237	237
e	183	183	183
f	196	196	196
n	302	302	302
M	25/32/40	25/32/40	25/32/40