

PRODUCT DATA SHEET

Part number 169406

EAN 4015609011513

Manufacturer WALTHER-WERKE

WEEE-Reg.-Number: DE 22131895

Product description

Waterproof wall socket for internal fixing 63A 4P 6h with top cable entry and two knock-out bottom cable entries, rotatable base



Product Image




Detailed product description

WALTHER Wall socket 63A 4P 400V 6h IP67
 made from PA6 material
 for internal fixing
 one open top cable entry
 and two knock-out bottom cable entries
 base rotatable by 180 degrees

Ordering Information

Order unit	Piece
Customs number	85366990
Net weight	1,2 kg
Packing quantity (VPE)	2
Length of the packaging	0,31 m
Width of the packaging	0,255 m
Depth of the packaging	0,15 m
Gross weight(VPE)	2,596 kg

Certificates

VDE certification	40000707	
CQC certification	2004010203136930	
EAC certification	BY112.02.01.020 06089	

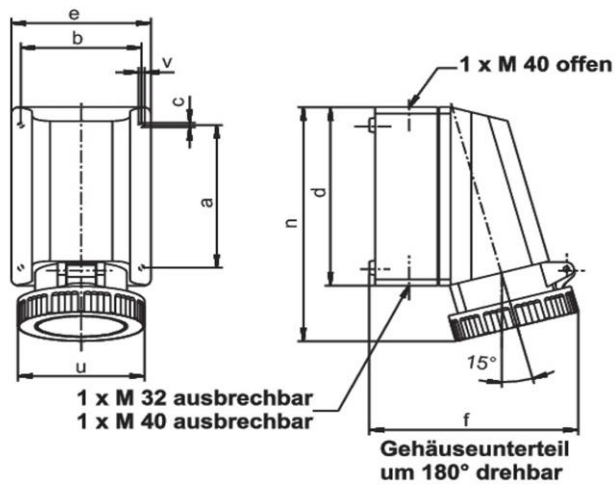
Classification system

Classification system	ETIM_6.0
ETIM Class	EC001321

Technical product data

Model	Surface mounted (plaster)
IEC-amperage	63 A
Amperage acc. UL/CSA (for UL-version)	60 A
Number of poles	4
Voltage acc. EN 60309-2	400 V (50+60 Hz) red
Clock hour position	6 h
Identification colour	Red
RAL-number	3000
Degree of protection (IP)	IP67
Connection system	Screwed terminal
Material	Plastic
Type of fastening	Inner lying mounting
Insulated mounting	True

Dimension sheet



Amp.	63		
Pole	3	4	5
a	136	136	136
b	104	104	104
c	4,2	4,2	4,2
d	172	172	172
e	121	121	121
f	178	178	178
n	224	224	224
v	5	5	5