

PRODUCT DATA SHEET

Part number 210410SL

EAN 4015609689361

Manufacturer WALTHER-WERKE

WEEE-Reg.-Nr: DE 22131895

Product description

Plug 16A 4P 10h screwless and with external cable gland



Product Image

Detailed product description

WALTHER Plug 16A 4P 50-500V 100-300Hz 10h IP44

made from PA6 material

screwless

with insulation displacement technique

with screw terminal

and grommet

Increased safety due to injected 2K seal.



Ordering information

order unit	Piece
customs number	85366990
net weight	0.196 kg
packing quantity (VPE)	10
length of the packaging	0.31 m
width of the packaging	0.163 m
depth of the packaging	0.113 m
gross weight(VPE)	2.072 kg

Conformities

CE conformity	√
RoHS directive	2011/65/EU
RoHS directive	2015/863/EU
REACH regulation	1907/2006

Certification

VDE/ENEC certification	40024787	
EAC certification	BY112.02.01.020 06090	

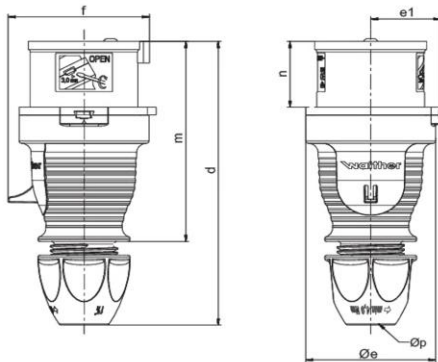
Classification system

classification system	ETIM_7.0
ETIM Class	EC000140

Technical product data

IEC-amperage	16 A
Number of poles	4
Voltage according to EN 60309-2	50-500 V (100-300Hz) green
Clock hour position	10 h
Identification colour	Green
Conductor cross-section	1 - 2.5 mm ²
Cable diameter	7.5 - 18.5 mm
Cable strip length	40 mm +/- 5 mm
Maximum torque cable gland	4 Nm
Degree of protection (IP)	IP44
Connection system	Screw less terminal
Contact material	Brass standard
Cable entry	Swivel
Angle of plug	Straight
Material	Plastic
Inflammability class of insulation material according to with UL94	V2

Dimension sheet



Amp.	16	16	32	32	32
Pole	4	5	3	4	5
d	150-161	150-161	173-185	173-185	174-183
Øe	65	65	72	72	72
e1	35	35	38,5	38,5	38,5
f	63	71	75	75	83
m	111	111	128	128	128
n	37	37	45,5	45,5	45,5
Øp	7,5 - 18,5	7,5-18,5	10 - 22,5	10 - 22,5	10 - 22,5