

## PRODUCT DATA SHEET

---

Part number 210709

---

EAN 4015609012275

Manufacturer WALTHER-WERKE

WEEE-Reg.-Nr: DE 22131895

### Product description

---

Plug 16A 7P 9h with grommet



Product Image

### Detailed product description

---

WALTHER Plug 16A 7P 230V 9h IP44

made from PA6 material

with screw terminal

and grommet

Increased safety due to injected 2K seal and two contact screws.

### Ordering information

---

order unit	Piece
customs number	85366990
net weight	0.203 kg
packing quantity (VPE)	10
length of the packaging	0.31 m
width of the packaging	0.163 m
depth of the packaging	0.113 m
gross weight(VPE)	2.142 kg

### Conformities

---

CE conformity	v
RoHS directive	2011/65/EU
RoHS directive	2015/863/EU
REACH regulation	1907/2006

## Classification system

---

classification system	ETIM_7.0
ETIM Class	EC000140

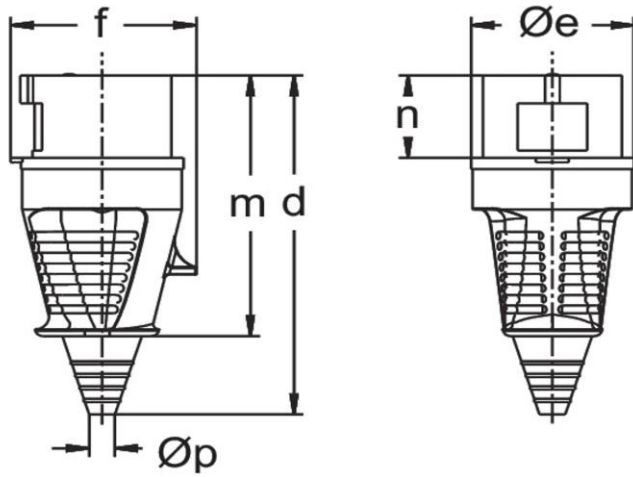
## Technical product data

---

IEC-amperage	16 A
Number of poles	7
Voltage according to EN 60309-2	230 V (50+60Hz) blue
Clock hour position	9 h
Identification colour	Blue
Conductor cross-section	1 - 2.5 mm <sup>2</sup>
Cable diameter	8 - 21 mm
Cable strip length	35 mm +/- 2.5 mm
Cable ferrules length	10 mm +/- 1 mm
Maximum torque terminal screw	0.8 Nm
Maximum torque cable gland	4 Nm
Degree of protection (IP)	IP44
Connection system	Screwed terminal
Contact material	Brass standard
Cable entry	Anti-kink sleeve
Angle of plug	Straight
Material	Plastic
Inflammability class of insulation material according to with UL94	V2

## Dimension sheet

---



<b>Amp.</b>	16	32
<b>Pole</b>	7	7
d	153	181
Øe	65	72
f	75	88
m	117	138
n	37	46
Øp	8/21	11/24