

## PRODUCT DATA SHEET

---

Part number 211SW

---

EAN 4015609417445

Manufacturer WALTHER-WERKE

WEEE-Reg.-Nr: DE 22131895

### Product description

---

Plug 16A 5P 6h with cable gland for lighting and stage technology



Produktbild

### Detailed product description

---

WALTHER Plug 16A 5P 400V 6h IP44

made from PA6 material

colour: black

with screw terminal

and cable gland

for lighting and stage technology

Increased safety due to injected 2K seal and two contact screws.

### Ordering information

---

order unit	Piece
customs number	85366990
net weight	0.17 kg
packing quantity (VPE)	10
length of the packaging	0.31 m
width of the packaging	0.163 m
depth of the packaging	0.113 m
gross weight(VPE)	1.812 kg

## Conformities

---

CE conformity	√
RoHS directive	2011/65/EU
RoHS directive	2015/863/EU
REACH regulation	1907/2006

## Classification system

---

classification system	ETIM_7.0
ETIM Class	EC000140

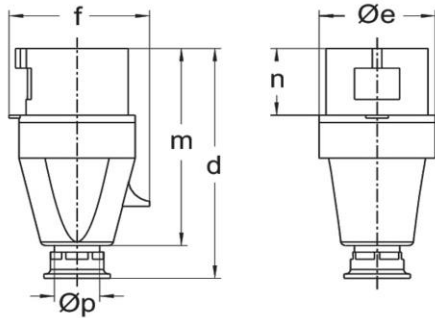
## Technical product data

---

IEC-amperage	16 A
Number of poles	5
Voltage according to EN 60309-2	400 V (50+60 Hz) red
Clock hour position	6 h
Identification colour	Red
Conductor cross-section	1 - 2.5 mm <sup>2</sup>
Cable diameter	7.5 - 14.5 mm
Cable strip length	35 mm +/- 2.5 mm
Cable ferrules length	10 mm +/- 1 mm
Maximum torque terminal screw	0.8 Nm
Maximum torque back shell	2 Nm
Maximum torque cable gland	4 Nm
Maximum torque strain relief	2 Nm
Degree of protection (IP)	IP44
Connection system	Screwed terminal
Contact material	Brass standard
Cable entry	Anti-kink sleeve
Angle of plug	Straight
Material	Plastic
Inflammability class of insulation material according to with UL94	V2

## Dimension sheet

---



Amp.	16			32			63		
Pole	3	4	5	3	4	5	3	4	5
d	123	131	131	155	155	155	240	240	240
Øe	51	65	65	73	73	73	81	81	81
f	60	68	75	79	79	88	97	97	97
m	118	112	112	133	133	133	192	192	192
n	37	37	37	46	46	46	67	67	67
Øp	7,5-14,5	7,5-14,5	7,5-14,5	10-19,5	10-19,5	10-19,5	18-34,5	18-34,5	18-34,5