

## PRODUCT DATA SHEET

---

Part number 212309

---

EAN 4015609128822

Manufacturer WALTHER-WERKE

WEEE-Reg.-Number: DE 22131895

### Product description

---

Plug 16A 3P 9h with grommet and eye for padlock



Similar image

### Detailed product description

---

WALTHER Plug 16A 3P 400V 9h IP44  
 made from PA6 material  
 with screw terminal  
 with grommet and eye for padlock  
 for locking with panel socket 512306/512304/512309  
 Increased safety due to injected 2K seal  
 and two contact screws.






### Ordering Information

---

Order unit	Piece
Customs number	85366990
Net weight	0,113 kg
Packing quantity (VPE)	10
Length of the packaging	
Width of the packaging	
Depth of the packaging	
Gross weight(VPE)	1,13 kg

### Certificates

---

VDE/ENEC certification	40024787	
UL certification	No. E329476	
UL certification	No. E188992	
EAC certification	BY112.02.01.020 06090	
CSA certification	70096522	

## Classification system

---

Classification system	ETIM_6.0
ETIM Class	EC000140

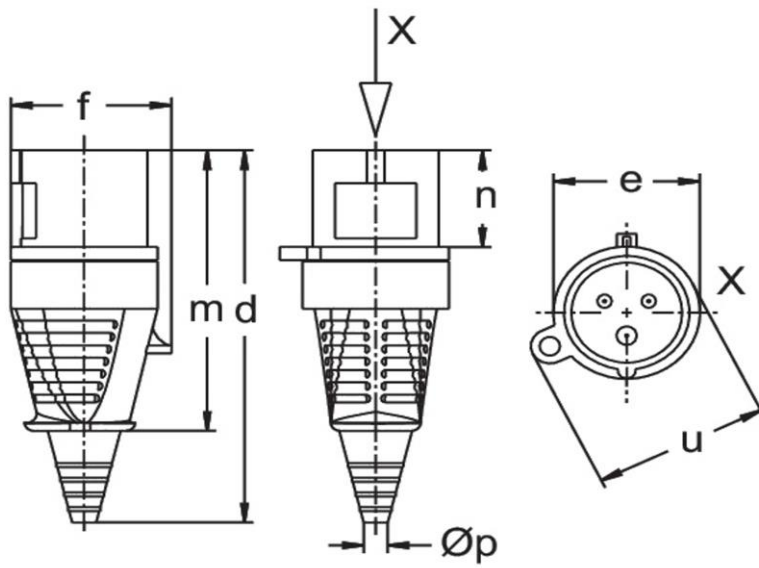
## Technical product data

---

IEC-amperage	16 A
Amperage acc. UL/CSA (for UL-version)	20 A
Number of poles	3
Voltage acc. EN 60309-2	400 V (50+60 Hz) red
Clock hour position	9 h
Identification colour	Red
RAL-number	3000
Degree of protection (IP)	IP44
Connection system	Screwed terminal
Cable entry	Anti-kink sleeve
Angle of plug	Straight
Material	Plastic

## Dimension sheet

---



<b>Amp.</b>	<b>16</b>
<b>Pole</b>	<b>3</b>
d	143
e	51
f	60
m	108
n	37
Øp	7/13
u	61