

PRODUCT DATA SHEET

Part number 215304SW

EAN 4015609341283

Manufacturer WALTHER-WERKE

WEEE-Reg.-Number: DE 22131895

Product description

Plug 16A 3P 4h with internal grommet for lighting and stage technology



Similar image

Detailed product description

WALTHER Plug black 16A 3P 110V 4h IP44
 made from PA6 material
 for lighting and stage technology
 with screw terminal and internal grommet
 Increased safety due to injected 2K seal
 and two contact screws.

Ordering Information

Order unit	Piece
Customs number	85366990
Net weight	0,101 kg
Packing quantity (VPE)	10
Length of the packaging	
Width of the packaging	
Depth of the packaging	
Gross weight(VPE)	1,01 kg

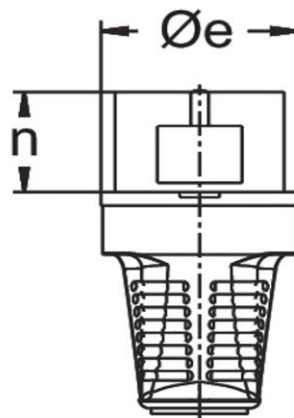
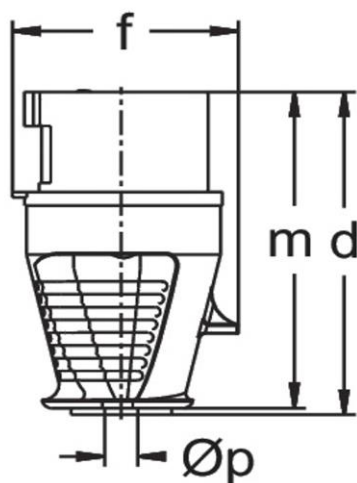
Classification system

Classification system	ETIM_6.0
ETIM Class	EC000140

Technical product data

IEC-amperage	16 A
Amperage acc. UL/CSA (for UL-version)	20 A
Number of poles	3
Voltage acc. EN 60309-2	110 V (50+60 Hz) yellow
Clock hour position	4 h
Identification colour	Yellow
Degree of protection (IP)	IP44
Connection system	Screwed terminal
Cable entry	Anti-kink sleeve
Angle of plug	Straight
Material	Plastic

Dimension sheet



Amp.	16
Pole	3
d	111
Øe	51
f	60
m	108
n	37
Øp	8/15