

## PRODUCT DATA SHEET

---

Part number	215306SW
EAN	4015609203482
Manufacturer	WALTER-WERKE
WEEE-Reg.-Number:	DE 22131895

### Product description

---

Plug 16A 3P 6h with internal grommet for lighting and stage technology



Product image

### Detailed product description

---

WALTER Plug 16A 3P 230V 6h IP44  
 made from PA6 material  
 in black  
 for lighting and stage technology  
 with screw terminal and internal grommet  
 Increased safety due to injected 2K seal  
 and two contact screws.

### Ordering Information

---

Order unit	Piece
Customs number	85366990
Net weight	0,1119 kg
Packing quantity (VPE)	10
Length of the packaging	
Width of the packaging	
Depth of the packaging	
Gross weight(VPE)	1,119 kg

### Classification system

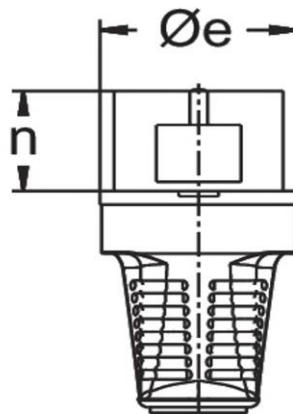
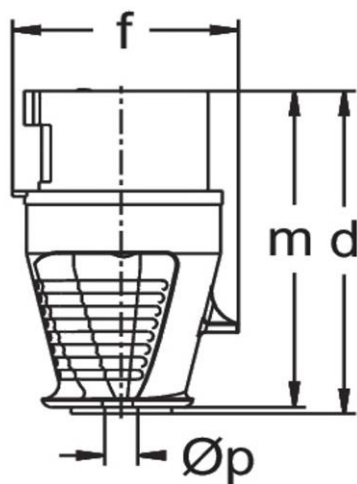
---

Classification system	ETIM_6.0
ETIM Class	EC000140

### Technical product data

IEC-amperage	16 A
Amperage acc. UL/CSA (for UL-version)	20 A
Number of poles	3
Voltage acc. EN 60309-2	230 V (50+60 Hz) blue
Clock hour position	6 h
Identification colour	Blue
Degree of protection (IP)	IP44
Connection system	Screwed terminal
Cable entry	Anti-kink sleeve
Angle of plug	Straight
Material	Plastic

### Dimension sheet



<b>Amp.</b>	<b>16</b>
<b>Pole</b>	<b>3</b>
d	111
Øe	51
f	60
m	108
n	37
Øp	8/15