

## PRODUCT DATA SHEET

---

Part number 215306

---

EAN 4015609122417

Manufacturer WALTHER-WERKE

WEEE-Reg.-Number: DE 22131895

### Product description

---

Plug 16A 3P 6h with internal grommet



Product Image

### Detailed product description

---

WALTHER Plug 16A 3P 230V 6h IP44

made from PA6 material

with screw terminal

and internal grommet

Increased safety due to injected 2K seal

and two contact screws.



### Ordering Information

---

Order unit	Piece
Customs number	85366990
Net weight	0,1121 kg
Packing quantity (VPE)	10
Length of the packaging	0,31 m
Width of the packaging	0,163 m
Depth of the packaging	0,113 m
Gross weight(VPE)	1,233 kg

### Certificates

---

VDE/ENEC certification	40024787	
EAC certification	BY112.02.01.020 06090	

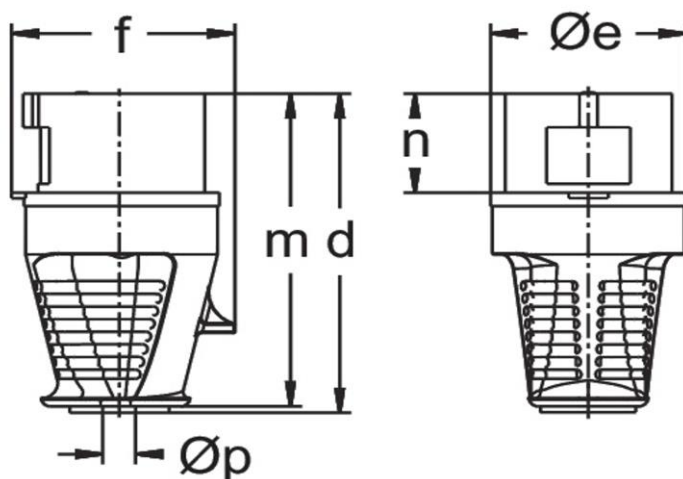
## Classification system

Classification system	ETIM_6.0
ETIM Class	EC000140

## Technical product data

IEC-amperage	16 A
Amperage acc. UL/CSA (for UL-version)	20 A
Number of poles	3
Voltage acc. EN 60309-2	230 V (50+60 Hz) blue
Clock hour position	6 h
Identification colour	Blue
RAL-number	5002
Degree of protection (IP)	IP44
Connection system	Screwed terminal
Cable entry	Anti-kink sleeve
Angle of plug	Straight
Material	Plastic

## Dimension sheet



<b>Amp.</b>	<b>16</b>
<b>Pole</b>	<b>3</b>
d	111
Øe	51
f	60
m	108
n	37
Øp	8/15