

PRODUCT DATA SHEET

Part number 215309

EAN 4015609173686

Manufacturer WALTHER-WERKE

WEEE-Reg.-Number: DE 22131895

Product description

Plug 16A 3P 9h with internal grommet



Similar image

Detailed product description

WALTHER Plug 16A 3P 400V 9h IP44

made from PA6 material

with screw terminal

and internal grommet



Increased safety due to injected 2K seal

and two contact screws.

Ordering Information

Order unit	Piece
Customs number	85366990
Net weight	0,101 kg
Packing quantity (VPE)	10
Length of the packaging	
Width of the packaging	
Depth of the packaging	
Gross weight(VPE)	1,01 kg

Certificates

VDE/ENEC certification	40024787	
EAC certification	BY112.02.01.020 06090	

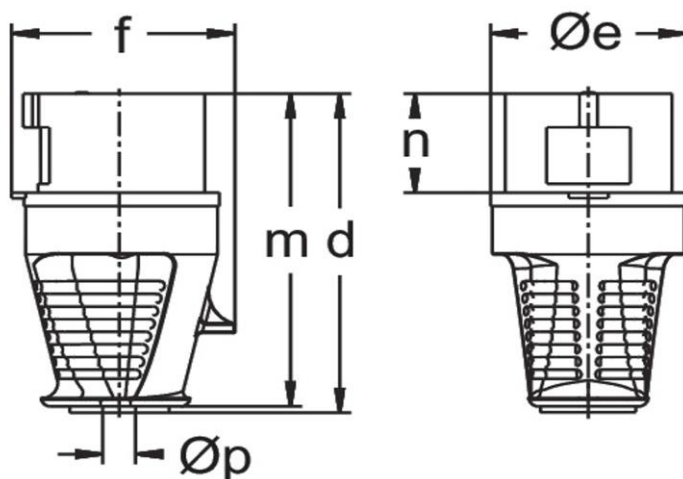
Classification system

Classification system	ETIM_6.0
ETIM Class	EC000140

Technical product data

IEC-amperage	16 A
Amperage acc. UL/CSA (for UL-version)	20 A
Number of poles	3
Voltage acc. EN 60309-2	400 V (50+60 Hz) red
Clock hour position	9 h
Identification colour	Red
RAL-number	3000
Degree of protection (IP)	IP44
Connection system	Screwed terminal
Cable entry	Anti-kink sleeve
Angle of plug	Straight
Material	Plastic

Dimension sheet



Amp.	16
Pole	3
d	111
Øe	51
f	60
m	108
n	37
Øp	8/15