

## PRODUCT DATA SHEET

---

Part number 230306

---

EAN 4015609013364

Manufacturer WALTHER-WERKE

WEEE-Reg.-Nr: DE 22131895

### Product description

---

Plug 32A 3P 6h with external cable gland



Product Image

### Detailed product description

---

WALTHER Plug 32A 3P 230V 6h IP44

made from PA6 material

with screw terminal

and external cable gland

Increased safety due to injected 2K seal and two contact screws.

### Ordering information

---





|                         |           |
|-------------------------|-----------|
| order unit              | Piece     |
| customs number          | 85366990  |
| net weight              | 0.2507 kg |
| packing quantity (VPE)  | 10        |
| length of the packaging | 0.31 m    |
| width of the packaging  | 0.195 m   |
| depth of the packaging  | 0.14 m    |
| gross weight(VPE)       | 2.655 kg  |

### Conformities

---

|                  |             |
|------------------|-------------|
| CE conformity    | √           |
| RoHS directive   | 2011/65/EU  |
| RoHS directive   | 2015/863/EU |
| REACH regulation | 1907/2006   |

## Certification

|                        |                       |   |
|------------------------|-----------------------|---|
| VDE/ENEC certification | 40021520              |  |
| UL certification       | No. E329476           |  |
| CQC certification      | 2004010203136980      |  |
| EAC certification      | BY112.02.01.020 06090 |  |

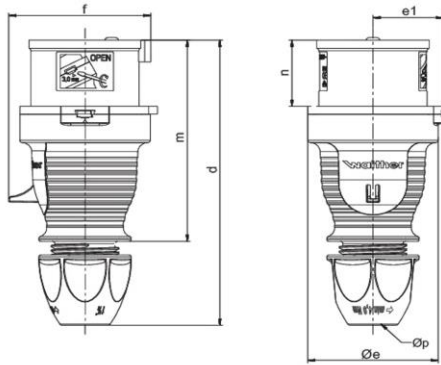
## Classification system

|                       |          |
|-----------------------|----------|
| classification system | ETIM_7.0 |
| ETIM Class            | EC000140 |

## Technical product data

|  |                         |
|--|-------------------------|
| IEC-amperage   | 32 A                    |
| Amperage according to UL/CSA (for UL-version)                      | 30 A                    |
| Number of poles  | 3                       |
| Voltage according to EN 60309-2                                    | 230 V (50+60Hz) blue    |
| Clock hour position  | 6 h                     |
| Identification colour  | Blue                    |
| Conductor cross-section  | 2.5 - 6 mm <sup>2</sup> |
| Cable diameter   | 10 - 22.5 mm            |
| Cable strip length   | 45 mm +/- 2.5 mm        |
| Cable ferrules length  | 10 mm +/- 1 mm          |
| Maximum torque terminal screw                                      | 0.8 Nm                  |
| Maximum torque cable gland   | 4 Nm                    |
| Degree of protection (IP)  | IP44                    |
| Connection system  | Screwed terminal        |
| Contact material   | Brass standard          |
| Cable entry  | Swivel                  |
| Angle of plug  | Straight                |
| Material   | Plastic                 |
| Inflammability class of insulation material according to with UL94 | V2                      |

## Dimension sheet



| Amp. | 16         | 16       | 32        | 32        | 32        |
|------|------------|----------|-----------|-----------|-----------|
| Pole | 4          | 5        | 3         | 4         | 5         |
| d    | 150-161    | 150-161  | 173-185   | 173-185   | 174-183   |
| Øe   | 65         | 65       | 72        | 72        | 72        |
| e1   | 35         | 35       | 38,5      | 38,5      | 38,5      |
| f    | 63         | 71       | 75        | 75        | 83        |
| m    | 111        | 111      | 128       | 128       | 128       |
| n    | 37         | 37       | 45,5      | 45,5      | 45,5      |
| Øp   | 7,5 - 18,5 | 7,5-18,5 | 10 - 22,5 | 10 - 22,5 | 10 - 22,5 |