

## PRODUCT DATA SHEET

---

Part number 230410SL

---

EAN 4015609709748

Manufacturer WALTHER-WERKE

WEEE-Reg.-Nr: DE 22131895

### Product description

---

Plug 32A 4P 10h screwless and with external cable gland



Product Image

### Detailed product description

---

WALTHER Plug 32A 4P >50V 100-300Hz 10h IP44  
 screwless  
 made from PA6 material  
 with insulation displacement technique  
 and external cable gland  
 Increased safety due to injected 2K seal.

### Ordering information

---

|                         |          |
|-------------------------|----------|
| order unit              | Piece    |
| customs number          | 85366990 |
| net weight              | 0.274 kg |
| packing quantity (VPE)  | 10       |
| length of the packaging | 0.31 m   |
| width of the packaging  | 0.195 m  |
| depth of the packaging  | 0.14 m   |
| gross weight(VPE)       | 2.888 kg |



### Conformities

---

|                  |             |
|------------------|-------------|
| CE conformity    | √           |
| RoHS directive   | 2011/65/EU  |
| RoHS directive   | 2015/863/EU |
| REACH regulation | 1907/2006   |

## Certification

---

|                        |                       |   |
|------------------------|-----------------------|---|
| VDE/ENEC certification | 40024788              |  |
| EAC certification      | BY112.02.01.020 06090 |  |

## Classification system

---

|                       |          |
|-----------------------|----------|
| classification system | ETIM_7.0 |
| ETIM Class            | EC000140 |

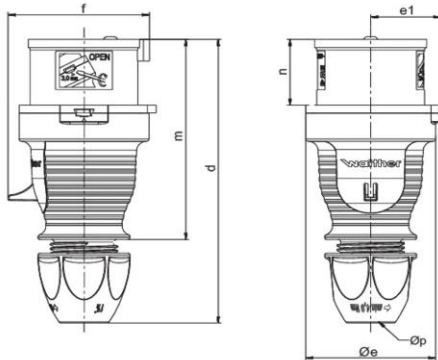
## Technical product data

---

|  |                            |
|--|----------------------------|
| IEC-ampereage  | 32 A                       |
| Number of poles  | 4                          |
| Voltage according to EN 60309-2                                    | 50-500 V (100-300Hz) green |
| Clock hour position  | 10 h                       |
| Identification colour  | Green                      |
| Conductor cross-section  | 2.5 - 6 mm <sup>2</sup>    |
| Cable diameter   | 10 - 22.5 mm               |
| Cable strip length   | 45 mm +/- 5 mm             |
| Maximum torque cable gland   | 4 Nm                       |
| Degree of protection (IP)  | IP44                       |
| Connection system  | Screw less terminal        |
| Contact material   | Brass standard             |
| Cable entry  | Swivel                     |
| Angle of plug  | Straight                   |
| Inflammability class of insulation material according to with UL94 | V2                         |
| Material   | Plastic                    |

## Dimension sheet

---



|             |            |          |           |           |           |
|-------------|------------|----------|-----------|-----------|-----------|
| <b>Amp.</b> | 16         | 16       | 32        | 32        | 32        |
| <b>Pole</b> | 4          | 5        | 3         | 4         | 5         |
| <b>d</b>    | 150-161    | 150-161  | 173-185   | 173-185   | 174-183   |
| <b>Øe</b>   | 65         | 65       | 72        | 72        | 72        |
| <b>e1</b>   | 35         | 35       | 38,5      | 38,5      | 38,5      |
| <b>f</b>    | 63         | 71       | 75        | 75        | 83        |
| <b>m</b>    | 111        | 111      | 128       | 128       | 128       |
| <b>n</b>    | 37         | 37       | 45,5      | 45,5      | 45,5      |
| <b>Øp</b>   | 7,5 - 18,5 | 7,5-18,5 | 10 - 22,5 | 10 - 22,5 | 10 - 22,5 |