

PRODUCT DATA SHEET

Part number	230504SL
EAN	4015609527137
Manufacturer	WALTHER-WERKE
WEEE-Reg.-Nr:	DE 22131895

Product description

Plug 32A 5P 4h screwless and with external cable gland



Product Image

Detailed product description

WALTHER Plug 32A 5P 110V 4h IP44
 screwless
 made from PA6 material
 with insulation displacement technique
 and external cable gland
 Increased safety due to injected 2K seal.



Ordering information

order unit	Piece
customs number	85366990
net weight	0.304 kg
packing quantity (VPE)	10
length of the packaging	0.31 m
width of the packaging	0.195 m
depth of the packaging	0.14 m
gross weight(VPE)	3.188 kg

Conformities

CE conformity	√
RoHS directive	2011/65/EU
RoHS directive	2015/863/EU
REACH regulation	1907/2006

Certification

VDE/ENEC certification	40024788	
EAC certification	BY112.02.01.020 06090	

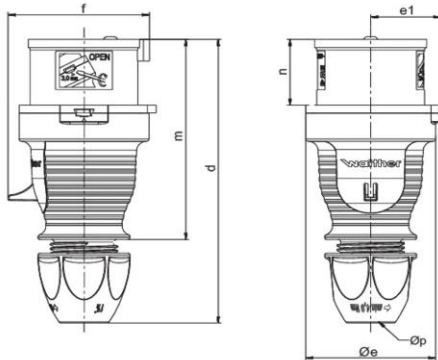
Classification system

classification system	ETIM_7.0
ETIM Class	EC000140

Technical product data

IEC-ampereage	32 A
Number of poles	5
Voltage according to EN 60309-2	110 V (50+60 Hz) yellow
Clock hour position	4 h
Identification colour	Yellow
Conductor cross-section	2.5 - 6 mm ²
Cable diameter	10 - 22.5 mm
Cable strip length	45 mm +/- 5 mm
Maximum torque cable gland	4 Nm
Degree of protection (IP)	IP44
Connection system	Screw less terminal
Contact material	Brass standard
Cable entry	Swivel
Angle of plug	Straight
Inflammability class of insulation material according to with UL94	V2
Material	Plastic

Dimension sheet



Amp.	16	16	32	32	32
Pole	4	5	3	4	5
d	150-161	150-161	173-185	173-185	174-183
Øe	65	65	72	72	72
e1	35	35	38,5	38,5	38,5
f	63	71	75	75	83
m	111	111	128	128	128
n	37	37	45,5	45,5	45,5
Øp	7,5 - 18,5	7,5-18,5	10 - 22,5	10 - 22,5	10 - 22,5