

## PRODUCT DATA SHEET

---

Part number 230707

---

EAN 4015609013678

Manufacturer WALTHER-WERKE

WEEE-Reg.-Nr: DE 22131895

### Product description

---

Plug 32A 7P 7h with grommet



Product Image

### Detailed product description

---

WALTHER Plug 32A 7P 500V 7h IP44

made from PA6 material

with screw terminal

and grommet

Increased safety due to injected 2K seal and two contact screws.

### Ordering information

---

order unit	Piece
customs number	85366990
net weight	0.291 kg
packing quantity (VPE)	10
length of the packaging	0.31 m
width of the packaging	0.195 m
depth of the packaging	0.14 m
gross weight(VPE)	2.91 kg

### Conformities

---

CE conformity	√
RoHS directive	2011/65/EU
RoHS directive	2015/863/EU
REACH regulation	1907/2006

## Classification system

---

classification system	ETIM_7.0
ETIM Class	EC000140

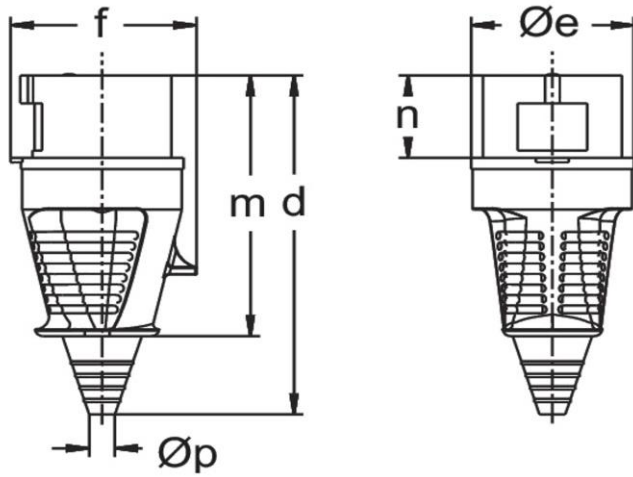
## Technical product data

---

IEC-amperage	32 A
Number of poles	7
Voltage according to EN 60309-2	500 V (50+60Hz) black
Clock hour position	7 h
Identification colour	Black
Conductor cross-section	2.5 - 6 mm <sup>2</sup>
Cable diameter	11 - 24 mm
Cable strip length	45 mm +/- 2.5 mm
Cable ferrules length	10 mm +/- 1 mm
Maximum torque terminal screw	0.8 Nm
Maximum torque cable gland	4 Nm
Degree of protection (IP)	IP44
Connection system	Screwed terminal
Contact material	Brass standard
Cable entry	Anti-kink sleeve
Angle of plug	Straight
Material	Plastic
Inflammability class of insulation material according to with UL94	V2

## Dimension sheet

---



<b>Amp.</b>	<b>16</b>	<b>32</b>
<b>Pole</b>	<b>7</b>	<b>7</b>
d	153	181
Øe	65	72
f	75	88
m	117	138
n	37	46
Øp	8/21	11/24