

## PRODUCT DATA SHEET

---

Part number 230SW

---

EAN 4015609203512

Manufacturer WALTHER-WERKE

WEEE-Reg.-Nr: DE 22131895

### Product description

---

Plug 32A 5P 6h with external cable gland for lighting and stage technology



Product Image

### Detailed product description

---

WALTHER Plug 32A 5P 400V 6h IP44

made from PA6 material

colour: black

with screw terminal

and grommet

for lighting and stage technology

Increased safety due to injected 2K seal and two contact screws.

### Ordering information

---

order unit	Piece
customs number	85366990
net weight	0.3001 kg
packing quantity (VPE)	10
length of the packaging	0.31 m
width of the packaging	0.195 m
depth of the packaging	0.14 m
gross weight(VPE)	3.149 kg

## Conformities

---

CE conformity	√
RoHS directive	2011/65/EU
RoHS directive	2015/863/EU
REACH regulation	1907/2006

## Classification system

---

classification system	ETIM_7.0
ETIM Class	EC000140

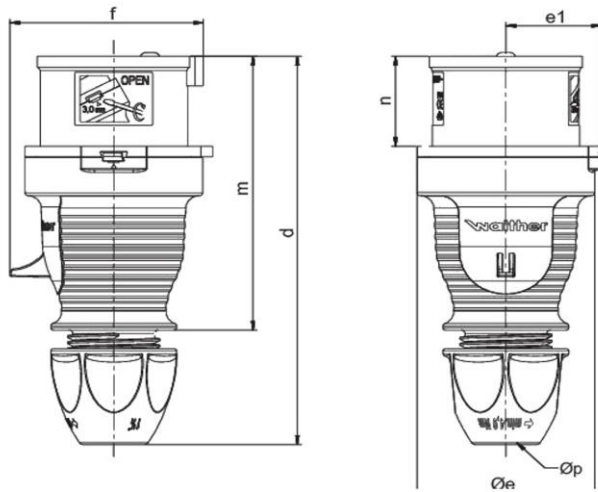
## Technical product data

---

IEC-amperage	32 A
Number of poles	5
Voltage according to EN 60309-2	400 V (50+60 Hz) red
Clock hour position	6 h
Identification colour	Red
Conductor cross-section	2.5 - 6 mm <sup>2</sup>
Cable diameter	10 - 22.5 mm
Cable strip length	45 mm +/- 2.5 mm
Cable ferrules length	10 mm +/- 1 mm
Maximum torque terminal screw	0.8 Nm
Maximum torque cable gland	4 Nm
Degree of protection (IP)	IP44
Connection system	Screwed terminal
Contact material	Brass standard
Cable entry	Swivel
Angle of plug	Straight
Material	Plastic
Inflammability class of insulation material according to with UL94	V2

## Dimension sheet

---



<b>Amp.</b>	<b>16</b>	<b>32</b>
<b>Pole</b>	<b>5</b>	<b>5</b>
<b>d</b>	<b>150-161</b>	<b>174-183</b>
<b>Øe</b>	<b>65</b>	<b>72</b>
<b>e1</b>	<b>35</b>	<b>38,5</b>
<b>f</b>	<b>71</b>	<b>83</b>
<b>m</b>	<b>111</b>	<b>128</b>
<b>n</b>	<b>37</b>	<b>45,5</b>
<b>Øp</b>	<b>7,5-18,5</b>	<b>10-22,5</b>