

PRODUCT DATA SHEET

Part number 261304

EAN 4015609014767

Manufacturer WALThER-WERKE

WEEE-Reg.-Number: DE 22131895

Product description

Plug 63A 3P 4h with cable gland



Similar image

Detailed product description

WALThER Plug 63A 3P 110V 4h IP44

made from PA6 material

with screw terminal

and cable gland




Increased safety due to injected 2K seal

and two contact screws.

Ordering Information

| | |
|-------------------------|----------|
| Order unit | Piece |
| Customs number | 85366990 |
| Net weight | 0,475 kg |
| Packing quantity (VPE) | 5 |
| Length of the packaging | |
| Width of the packaging | |
| Depth of the packaging | |
| Gross weight(VPE) | 2,375 kg |

Certificates

| | | |
|-------------------|-----------------------|---|
| VDE certification | 40000693 |  |
| UL certification | No. E329476 |  |
| EAC certification | BY112.02.01.020 06090 |  |

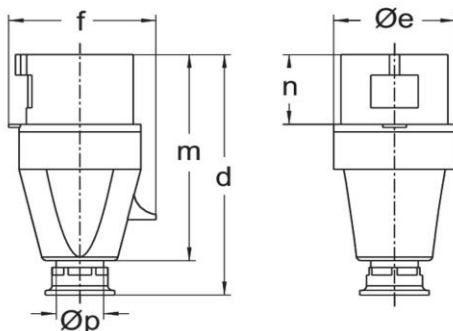
Classification system

| | |
|-----------------------|----------|
| Classification system | ETIM_6.0 |
| ETIM Class | EC000140 |

Technical product data

| | |
|---------------------------------------|-------------------------|
| IEC-amperage | 63 A |
| Amperage acc. UL/CSA (for UL-version) | 60 A |
| Number of poles | 3 |
| Voltage acc. EN 60309-2 | 110 V (50+60 Hz) yellow |
| Clock hour position | 4 h |
| Identification colour | Yellow |
| RAL-number | 1018 |
| Degree of protection (IP) | IP44 |
| Connection system | Screwed terminal |
| Cable entry | Swivel |
| Angle of plug | Straight |
| Material | Plastic |

Dimension sheet



| Amp. | 16 | | | 32 | | | 63 | | |
|------|----------|----------|----------|---------|---------|---------|---------|---------|---------|
| Pole | 3 | 4 | 5 | 3 | 4 | 5 | 3 | 4 | 5 |
| d | 123 | 131 | 131 | 155 | 155 | 155 | 240 | 240 | 240 |
| Øe | 51 | 65 | 65 | 73 | 73 | 73 | 81 | 81 | 81 |
| f | 60 | 68 | 75 | 79 | 79 | 88 | 97 | 97 | 97 |
| m | 118 | 112 | 112 | 133 | 133 | 133 | 192 | 192 | 192 |
| n | 37 | 37 | 37 | 46 | 46 | 46 | 67 | 67 | 67 |
| Øp | 7,5-14,5 | 7,5-14,5 | 7,5-14,5 | 10-19,5 | 10-19,5 | 10-19,5 | 18-34,5 | 18-34,5 | 18-34,5 |