

## PRODUCT DATA SHEET

---

Part number 261410

---

EAN 4015609014866

Manufacturer WALTHER-WERKE

WEEE-Reg.-Number: DE 22131895

### Product description

---

Plug 63A 4P 10h with cable gland



Similar image

### Detailed product description

---

WALTHER Plug 63A 4P 50-500V 100-300Hz 10h IP44

made from PA6 material

with screw terminal

and cable gland

Increased safety due to injected 2K seal

and two contact screws.




### Ordering Information

---

|                         |          |
|-------------------------|----------|
| Order unit              | Piece    |
| Customs number          | 85366990 |
| Net weight              | 0,566 kg |
| Packing quantity (VPE)  | 5        |
| Length of the packaging |          |
| Width of the packaging  |          |
| Depth of the packaging  |          |
| Gross weight(VPE)       | 2,83 kg  |

### Certificates

---

|                   |                       |   |
|-------------------|-----------------------|---|
| VDE certification | 40000693              |  |
| UL certification  | No. E329476           |  |
| EAC certification | BY112.02.01.020 06090 |  |

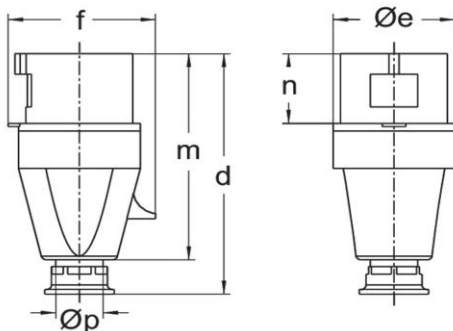
## Classification system

|                       |          |
|-----------------------|----------|
| Classification system | ETIM_6.0 |
| ETIM Class            | EC000140 |

## Technical product data

|                                       |                             |
|---------------------------------------|-----------------------------|
| IEC-amperage                          | 63 A                        |
| Amperage acc. UL/CSA (for UL-version) | 60 A                        |
| Number of poles                       | 4                           |
| Voltage acc. EN 60309-2               | 50-500 V (100-300 Hz) green |
| Clock hour position                   | 10 h                        |
| Identification colour                 | Green                       |
| RAL-number                            | 6025                        |
| Degree of protection (IP)             | IP44                        |
| Connection system                     | Screwed terminal            |
| Cable entry                           | Swivel                      |
| Angle of plug                         | Straight                    |
| Material                              | Plastic                     |

## Dimension sheet



| Amp. | 16       |          |          | 32      |         |         | 63      |         |         |
|------|----------|----------|----------|---------|---------|---------|---------|---------|---------|
| Pole | 3        | 4        | 5        | 3       | 4       | 5       | 3       | 4       | 5       |
| d    | 123      | 131      | 131      | 155     | 155     | 155     | 240     | 240     | 240     |
| Øe   | 51       | 65       | 65       | 73      | 73      | 73      | 81      | 81      | 81      |
| f    | 60       | 68       | 75       | 79      | 79      | 88      | 97      | 97      | 97      |
| m    | 118      | 112      | 112      | 133     | 133     | 133     | 192     | 192     | 192     |
| n    | 37       | 37       | 37       | 46      | 46      | 46      | 67      | 67      | 67      |
| Øp   | 7,5-14,5 | 7,5-14,5 | 7,5-14,5 | 10-19,5 | 10-19,5 | 10-19,5 | 18-34,5 | 18-34,5 | 18-34,5 |