

## PRODUCT DATA SHEET

---

Part number 268509

---

EAN 4015609654796

Manufacturer WALTHER-WERKE

WEEE-Reg.-Nr: DE 22131895

### Product description

---

Waterproof Plug 63A 5P 9h with external cable gland and pilot contact



Product Image

### Detailed product description

---

WALTHER Plug 63A 5P 230V 9h IP67  
 made from PA6 material  
 with screw terminal  
 with cable gland  
 and pilot contact

### Ordering information

---



order unit	Piece
customs number	85366990
net weight	0.598 kg
packing quantity (VPE)	5
length of the packaging	0.31 m
width of the packaging	0.255 m
depth of the packaging	0.15 m
gross weight(VPE)	3.186 kg

### Conformities

---

CE conformity	v
RoHS directive	2011/65/EU
RoHS directive	2015/863/EU
REACH regulation	1907/2006

## Certification

VDE certification	40000693	
EAC certification	BY112.02.01.020 06090	

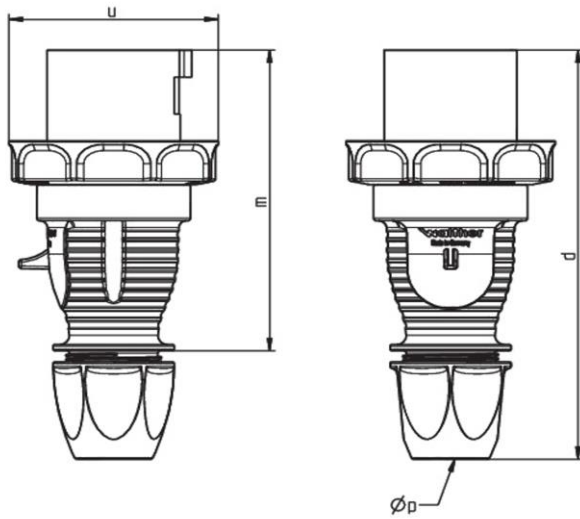
## Classification system

classification system	ETIM_7.0
ETIM Class	EC000140

## Technical product data

IEC-ampereage	63 A
Number of poles	5
Voltage according to EN 60309-2	230 V (50+60Hz) blue
Clock hour position	9 h
Identification colour	Blue
Conductor cross-section	6 - 16 mm <sup>2</sup>
Cable diameter	14 - 33 mm
Cable strip length	60 mm +/- 2.5 mm
Cable ferrules length	12 mm +/- 1 mm
Maximum torque terminal screw	2 Nm
Maximum torque back shell	2.5 Nm
Maximum torque cable gland	4 Nm
Maximum torque strain relief	3 Nm
Degree of protection (IP)	IP67
Connection system	Screwed terminal
Contact material	Nickel-plated brass
Cable entry	Swivel
Angle of plug	Straight
Material	Plastic
Inflammability class of insulation material according to with UL94	V2

## Dimension sheet



Amp.	63		
Pole	3	4	5
d	246	246	246
u	109	109	109
m	174	174	174
Øp	14-33	14-33	14-33