

PRODUCT DATA SHEET

Part number 269407

EAN 4015609015085

Manufacturer WALTHER-WERKE

WEEE-Reg.-Nr: DE 22131895

Product description

Waterproof Plug 63A 4P 7h with cable gland and pilot contact



Product Image

Detailed product description

WALTHER Plug 63A 4P 500V 7h IP67
 made from PA6 material
 with screw terminal
 with cable gland
 and pilot contact




Ordering information

| | |
|-------------------------|----------|
| order unit | Piece |
| customs number | 85366990 |
| net weight | 0.623 kg |
| packing quantity (VPE) | 5 |
| length of the packaging | 0.31 m |
| width of the packaging | 0.255 m |
| depth of the packaging | 0.15 m |
| gross weight(VPE) | 3.311 kg |

Conformities

| | |
|------------------|-------------|
| CE conformity | v |
| RoHS directive | 2011/65/EU |
| RoHS directive | 2015/863/EU |
| REACH regulation | 1907/2006 |

Certification

| | | |
|-------------------|-----------------------|---|
| VDE certification | 40000693 |  |
| UL certification | No. E329476 |  |
| EAC certification | BY112.02.01.020 06090 |  |

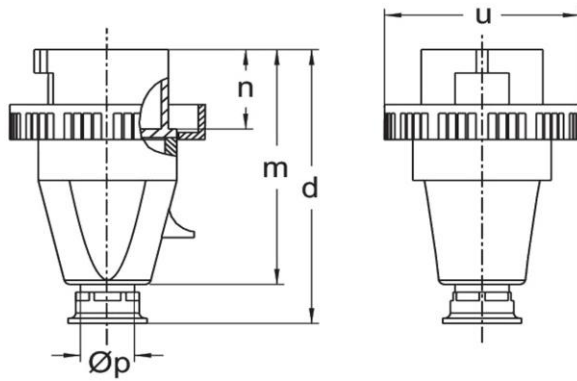
Classification system

| | |
|-----------------------|----------|
| classification system | ETIM_7.0 |
| ETIM Class | EC000140 |

Technical product data

| | |
|--|------------------------|
| IEC-amperage | 63 A |
| Amperage according to UL/CSA (for UL-version) | 60 A |
| Number of poles | 4 |
| Voltage according to EN 60309-2 | 500 V (50+60Hz) black |
| Clock hour position | 7 h |
| Identification colour | Black |
| Conductor cross-section | 6 - 16 mm ² |
| Cable diameter | 18 - 35 mm |
| Cable strip length | 60 mm +/- 2.5 mm |
| Cable ferrules length | 12 mm +/- 1 mm |
| Maximum torque terminal screw | 2 Nm |
| Maximum torque back shell | 2.5 Nm |
| Maximum torque cable gland | 4 Nm |
| Maximum torque strain relief | 3 Nm |
| Degree of protection (IP) | IP67 |
| Connection system | Screwed terminal |
| Contact material | Nickel-plated brass |
| Cable entry | Swivel |
| Angle of plug | Straight |
| Material | Plastic |
| Inflammability class of insulation material according to with UL94 | V2 |

Dimension sheet



| Amp. | 63 | | | 125 | | |
|------|-------|-------|-------|-------|-------|-------|
| Pole | 3 | 4 | 5 | 3 | 4 | 5 |
| d | 243 | 243 | 243 | 315 | 315 | 315 |
| m | 195 | 195 | 195 | 258 | 258 | 258 |
| n | 67 | 67 | 67 | 75,5 | 75,5 | 75,5 |
| u | 110 | 110 | 110 | 130 | 130 | 130 |
| Øp | 18-35 | 18-35 | 18-35 | 24-45 | 24-45 | 24-45 |