

## PRODUCT DATA SHEET

---

Part number 269409

---

EAN 4015609015092

Manufacturer WALTHER-WERKE

WEEE-Reg.-Nr: DE 22131895

### Product description

---

Waterproof Plug 63A 4P 9h with cable gland and pilot contact



Product Image

### Detailed product description

---

WALTHER Plug 63A 4P 230V 9h IP67  
 made from PA6 material  
 with screw terminal  
 with cable gland  
 and pilot contact

### Ordering information

---




|                         |           |
|-------------------------|-----------|
| order unit              | Piece     |
| customs number          | 85366990  |
| net weight              | 0.6189 kg |
| packing quantity (VPE)  | 5         |
| length of the packaging | 0.31 m    |
| width of the packaging  | 0.255 m   |
| depth of the packaging  | 0.15 m    |
| gross weight(VPE)       | 3.291 kg  |

### Conformities

---

|                  |             |
|------------------|-------------|
| CE conformity    | v           |
| RoHS directive   | 2011/65/EU  |
| RoHS directive   | 2015/863/EU |
| REACH regulation | 1907/2006   |

## Certification

|                   |                       |   |
|-------------------|-----------------------|---|
| VDE certification | 40000693              |  |
| UL certification  | No. E329476           |  |
| EAC certification | BY112.02.01.020 06090 |  |

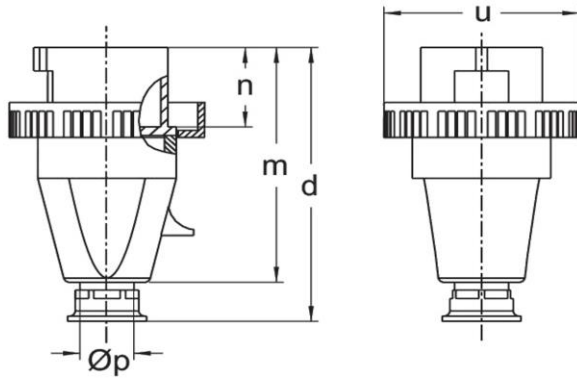
## Classification system

|                       |          |
|-----------------------|----------|
| classification system | ETIM_7.0 |
| ETIM Class            | EC000140 |

## Technical product data

|  |                        |
|--|------------------------|
| IEC-amperage   | 63 A                   |
| Amperage according to UL/CSA (for UL-version)                      | 60 A                   |
| Number of poles  | 4                      |
| Voltage according to EN 60309-2                                    | 230 V (50+60Hz) blue   |
| Clock hour position  | 9 h                    |
| Identification colour  | Blue                   |
| Conductor cross-section  | 6 - 16 mm <sup>2</sup> |
| Cable diameter   | 18 - 35 mm             |
| Cable strip length   | 60 mm +/- 2.5 mm       |
| Cable ferrules length  | 12 mm +/- 1 mm         |
| Maximum torque terminal screw                                      | 2 Nm                   |
| Maximum torque back shell  | 2.5 Nm                 |
| Maximum torque cable gland   | 4 Nm                   |
| Maximum torque strain relief                                       | 3 Nm                   |
| Degree of protection (IP)  | IP67                   |
| Connection system  | Screwed terminal       |
| Contact material   | Nickel-plated brass    |
| Cable entry  | Swivel                 |
| Angle of plug  | Straight               |
| Material   | Plastic                |
| Inflammability class of insulation material according to with UL94 | V2                     |

## Dimension sheet



| Amp. | 63    |       |       | 125   |       |       |
|------|-------|-------|-------|-------|-------|-------|
| Pole | 3     | 4     | 5     | 3     | 4     | 5     |
| d    | 243   | 243   | 243   | 315   | 315   | 315   |
| m    | 195   | 195   | 195   | 258   | 258   | 258   |
| n    | 67    | 67    | 67    | 75,5  | 75,5  | 75,5  |
| u    | 110   | 110   | 110   | 130   | 130   | 130   |
| Øp   | 18-35 | 18-35 | 18-35 | 24-45 | 24-45 | 24-45 |