

PRODUCT DATA SHEET

Part number 269504

EAN 4015609015146

Manufacturer WALTHER-WERKE

WEEE-Reg.-Nr: DE 22131895

Product description

Wasserdichte Plug 63A 5P 4h with cable gland and pilot contact



Product Image

Detailed product description

WALTHER Plug 63A 5P 110V 4h IP67
 made from PA6 material
 with screw terminal
 with cable gland
 and pilot contact




Ordering information

order unit	Piece
customs number	85366990
net weight	0.668 kg
packing quantity (VPE)	5
length of the packaging	0.31 m
width of the packaging	0.255 m
depth of the packaging	0.15 m
gross weight(VPE)	3.536 kg

Conformities

CE conformity	v
RoHS directive	2011/65/EU
RoHS directive	2015/863/EU
REACH regulation	1907/2006

Certification

VDE certification	40000693	
UL certification	No. E329476	
EAC certification	BY112.02.01.020 06090	

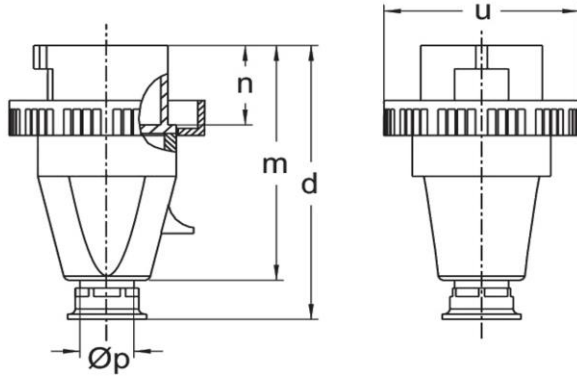
Classification system

classification system	ETIM_7.0
ETIM Class	EC000140

Technical product data

IEC-amperage	63 A
Amperage according to UL/CSA (for UL-version)	60 A
Number of poles	5
Voltage according to EN 60309-2	110 V (50+60 Hz) yellow
Clock hour position	4 h
Identification colour	Yellow
Conductor cross-section	6 - 16 mm ²
Cable diameter	18 - 35 mm
Cable strip length	60 mm +/- 2.5 mm
Cable ferrules length	12 mm +/- 1 mm
Maximum torque terminal screw	2 Nm
Maximum torque back shell	2.5 Nm
Maximum torque cable gland	4 Nm
Maximum torque strain relief	3 Nm
Degree of protection (IP)	IP67
Connection system	Screwed terminal
Contact material	Nickel-plated brass
Cable entry	Swivel
Angle of plug	Straight
Material	Plastic
Inflammability class of insulation material according to with UL94	V2

Dimension sheet



Amp.	63			125		
Pole	3	4	5	3	4	5
d	243	243	243	315	315	315
m	195	195	195	258	258	258
n	67	67	67	75,5	75,5	75,5
u	110	110	110	130	130	130
Øp	18-35	18-35	18-35	24-45	24-45	24-45