

PRODUCT DATA SHEET

Part number 316309

EAN 4015609016327

Manufacturer WALTHER-WERKE

WEEE-Reg.-Number: DE 22131895

Product description

MONDO angled coupler 16A 3P 9h



Similar image

Detailed product description

WALTHER angled Coupler 16A 3P 400V 9h IP44
 from the MONDO series
 made from PA6 material
 with screw terminal
 and grommet




Ordering Information

Order unit	Piece
Customs number	85366990
Net weight	0,138 kg
Packing quantity (VPE)	10
Length of the packaging	0,31 m
Width of the packaging	0,163 m
Depth of the packaging	0,113 m
Gross weight(VPE)	1,492 kg

Certificates

VDE/ENEC certification 40024796



UL certification	No. E329476	
EAC certification	BY112.02.01.020 06101	
CSA certification	70096522	

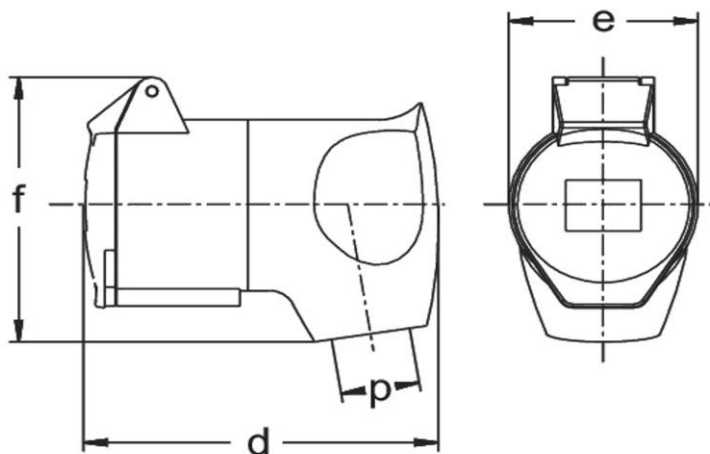
Classification system

Classification system	ETIM_6.0
ETIM Class	EC001320

Technical product data

IEC-amperage	16 A
Amperage acc. UL/CSA (for UL-version)	20 A
Number of poles	3
Voltage acc. EN 60309-2	400 V (50+60 Hz) red
Clock hour position	9 h
Identification colour	Red
RAL-number	3000
Degree of protection (IP)	IP44
Connection system	Screwed terminal
Angle of plug	Angled
Cable entry	Anti-kink sleeve
Material	Plastic

Dimension sheet



Amp.	16
Pole	3
d	95
e	50,3
f	80
p	8/13