

PRODUCT DATA SHEET

Part number 316504

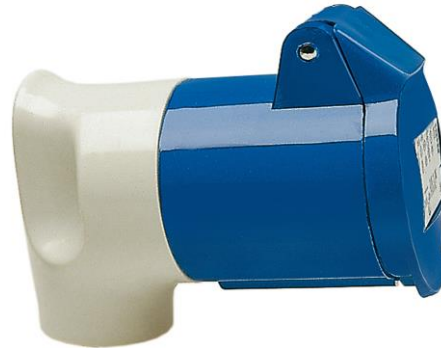
EAN 4015609745104

Manufacturer WALTHER-WERKE

WEEE-Reg.-Number: DE 22131895

Product description

MONDO angled coupler 16A 5P 4h with internal grommet



Similar image

Detailed product description

WALTHER angled Coupler 16A 5P 110V 4h IP44
 low-voltage connector from the MONDO series
 made from PA6 material
 backside RAL 7035 -light grey-
 with screw terminal
 and internal grommet

Ordering Information

| | |
|-------------------------|----------|
| Order unit | Piece |
| Customs number | 85366990 |
| Net weight | |
| Packing quantity (VPE) | 10 |
| Length of the packaging | |
| Width of the packaging | |
| Depth of the packaging | |
| Gross weight(VPE) | |

Certificates

EAC certification

BY112.02.01.020 06101



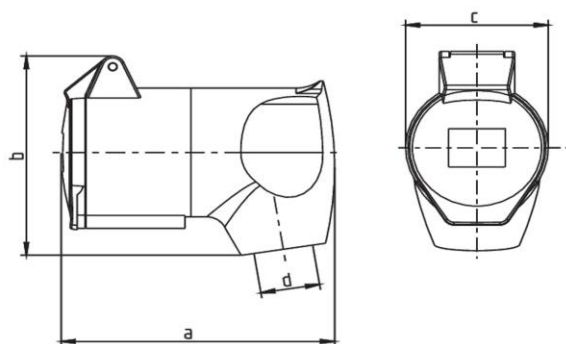
Classification system

| | |
|-----------------------|----------|
| Classification system | ETIM_6.0 |
| ETIM Class | EC001320 |

Technical product data

| | |
|---------------------------------------|-----------------------|
| IEC-amperage | 16 A |
| Amperage acc. UL/CSA (for UL-version) | 20 A |
| Number of poles | 5 |
| Voltage acc. EN 60309-2 | 110 V (50+60 Hz) gelb |
| Clock hour position | 4 h |
| Identification colour | Yellow |
| Degree of protection (IP) | IP44 |
| Connection system | Screw less terminal |
| Angle of plug | angled |
| Cable entry | Anti-kink sleeve |
| Material | Plastic |

Dimension sheet



| Amp. | 16 | | | 32 | | |
|------|------|---------|---------|-------|-------|-------|
| Pole | 3 | 4 | 5 | 3 | 4 | 5 |
| a | 95 | 110 | 110 | 130 | 115 | 115 |
| b | 80 | 95 | 95 | 106 | 106 | 106 |
| c | 50,3 | 64,5 | 64,5 | 72 | 72 | 72 |
| d | 8/13 | 10/16,5 | 10/16,5 | 11/22 | 11/22 | 11/22 |