

## PRODUCT DATA SHEET

---

Part number **319407**

---

EAN **4015609016464**

Manufacturer **WALTHER-WERKE**

WEEE-Reg.-Number: **DE 22131895**

---

### Product description

---

Waterproof coupler 16A 4P 7h with external cable gland



Similar image

### Detailed product description

---

WALTHER Coupler 16A 4P 500V 7h IP67  
 made from PA6 material  
 with screw terminal  
 with cable gland  
 and an injected 2K seal  
 Increased safety due to two contact screws.

### Ordering Information





---

Order unit	Piece
Customs number	85366990
Net weight	0,224 kg
Packing quantity (VPE)	10
Length of the packaging	0,31 m
Width of the packaging	0,195 m
Depth of the packaging	0,14 m
Gross weight(VPE)	2,388 kg

---

### Certificates

---

VDE certification	123016	
UL certification	No. E329476	
EAC certification	BY112.02.01.020 06101	
CSA certification	70096522	

## Classification system

---

Classification system	ETIM_6.0
ETIM Class	EC001320

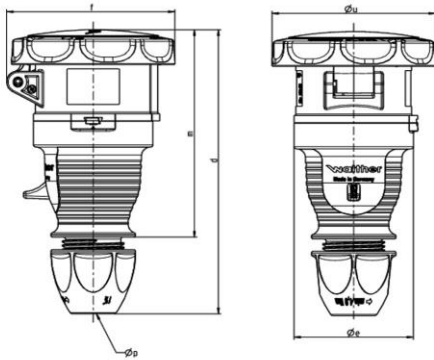
## Technical product data

---

IEC-amperage	16 A
Amperage acc. UL/CSA (for UL-version)	20 A
Number of poles	4
Voltage acc. EN 60309-2	500 V (50+60 Hz) black
Clock hour position	7 h
Identification colour	Black
RAL-number	9005
Degree of protection (IP)	IP67
Connection system	Screwed terminal
Angle of plug	Straight
Cable entry	Swivel
Material	Plastic

## Dimension sheet

---



Amp.	16	16	32	32
Pole	4	5	3 / 4	5
d	150-161	150-161	174-183	174-183
Ø e	Ø 65	Ø 65	Ø 72	Ø 72
f	85	92	95	104
m	125	125	142	142
Ø u	Ø 81	Ø 89	Ø 95	Ø 100
Ø p	7,5 - 18,5	7,5 - 18,5	10 - 22,5	10 - 22,5