

PRODUCT DATA SHEET

Part number 330309SL

EAN 4015609745302

Manufacturer WALTHER-WERKE

WEEE-Reg.-Number: DE 22131895

Product description

Coupler 32A 3P 9h screwless and with external cable gland



Similar image



Detailed product description

WALTHER Coupler 32A 3P 400V 9h IP44
 screwless
 made from PA6 material
 with insulation displacement technique
 and external cable gland
 Increased safety due to injected 2K seal.

Ordering Information

Order unit	Piece
Customs number	85366990
Net weight	
Packing quantity (VPE)	10
Length of the packaging	
Width of the packaging	
Depth of the packaging	
Gross weight(VPE)	

Certificates

VDE/ENEC certification	40024804	
EAC certification	BY112.02.01.020 06101	

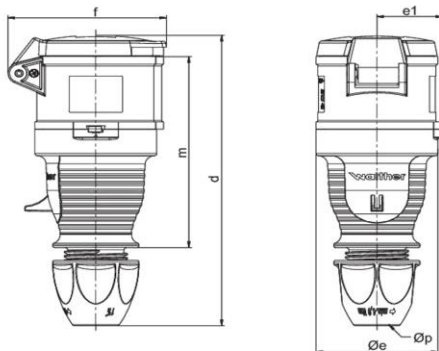
Classification system

Classification system	ETIM_6.0
ETIM Class	EC001320

Technical product data

IEC-amperage	32 A
Amperage acc. UL/CSA (for UL-version)	30 A
Number of poles	3
Voltage acc. EN 60309-2	400 V (50+60 Hz) red
Clock hour position	9 h
Identification colour	Red
RAL-number	3000
Degree of protection (IP)	IP44
Connection system	Screw less terminal
Angle of plug	Straight
Cable entry	Anti-kink sleeve
Material	Plastic

Dimension sheet



Amp.	16	16	32	32	32
Pole	4	5	3	4	5
d	165-176	165-176	189-199	189-199	189-199
Øe	65	65	72	72	72
e1	35	35	38,5	38,5	38,5
f	77	85	91	91	97
m	114	114	130	130	130
Øp	7,5 - 18,5	7,5 - 18,5	10 - 22,5	10 - 22,5	10 - 22,5