

PRODUCT DATA SHEET

Part number 330309

EAN 4015609016648

Manufacturer WALTHER-WERKE

WEEE-Reg.-Number: DE 22131895

Product description

Coupler 32A 3P 9h with external cable gland



Product image

Detailed product description

WALTHER Coupler 32A 3P 400V 9h IP44

made from PA6 material

with screw terminal

with external grommet





and an injected 2K seal

Increased safety due to two contact screws.

Ordering Information

| | |
|-------------------------|----------|
| Order unit | Piece |
| Customs number | 85366990 |
| Net weight | 0,312 kg |
| Packing quantity (VPE) | 10 |
| Length of the packaging | 0,31 m |
| Width of the packaging | 0,195 m |
| Depth of the packaging | 0,14 m |
| Gross weight(VPE) | 3,268 kg |

Certificates

| | | |
|------------------------|-----------------------|---|
| VDE/ENEC certification | 40024804 |  |
| UL certification | No. E329476 |  |
| EAC certification | BY112.02.01.020 06101 |  |
| CSA certification | 70096522 |  |

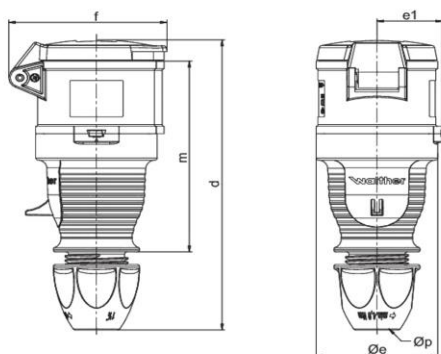
Classification system

| | |
|-----------------------|----------|
| Classification system | ETIM_6.0 |
| ETIM Class | EC001320 |

Technical product data

| | |
|---------------------------------------|----------------------|
| IEC-amperage | 32 A |
| Amperage acc. UL/CSA (for UL-version) | 30 A |
| Number of poles | 3 |
| Voltage acc. EN 60309-2 | 400 V (50+60 Hz) red |
| Clock hour position | 9 h |
| Identification colour | Red |
| RAL-number | 3000 |
| Degree of protection (IP) | IP44 |
| Connection system | Screwed terminal |
| Angle of plug | Straight |
| Cable entry | Anti-kink sleeve |
| Material | Plastic |

Dimension sheet



| Amp. | 16 | 16 | 32 | 32 | 32 |
|------|------------|------------|-----------|-----------|-----------|
| Pole | 4 | 5 | 3 | 4 | 5 |
| d | 165-176 | 165-176 | 189-199 | 189-199 | 189-199 |
| Øe | 65 | 65 | 72 | 72 | 72 |
| e1 | 35 | 35 | 38,5 | 38,5 | 38,5 |
| f | 77 | 85 | 91 | 91 | 97 |
| m | 114 | 114 | 130 | 130 | 130 |
| Øp | 7,5 - 18,5 | 7,5 - 18,5 | 10 - 22,5 | 10 - 22,5 | 10 - 22,5 |