

## PRODUCT DATA SHEET

---

Part number 330402

---

EAN 4015609016679

Manufacturer WALTHER-WERKE

WEEE-Reg.-Number: DE 22131895

---

### Product description

---

Coupler 32A 4P 2h with external cable gland



Product image

### Detailed product description

---

WALTHER Coupler 32A 4P 50-500V 300-500Hz 2h IP44

made from PA6 material

with screw terminal

with and an injected 2K seal

Increased safety due to two contact screws.

### Ordering Information

---

Order unit	Piece
Customs number	85366990
Net weight	0,29 kg
Packing quantity (VPE)	10
Length of the packaging	0,31 m
Width of the packaging	0,195 m
Depth of the packaging	0,14 m
Gross weight(VPE)	3,048 kg




### Certificates

---

VDE/ENEC certification

40024804



UL certification	No. E329476	
EAC certification	BY112.02.01.020 06101	
CSA certification	70096522	

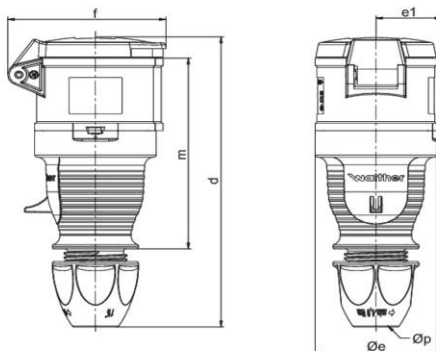
## Classification system

Classification system	ETIM_6.0
ETIM Class	EC001320

## Technical product data

IEC-amperage	32 A
Amperage acc. UL/CSA (for UL-version)	30 A
Number of poles	4
Voltage acc. EN 60309-2	50-500 V (>300-500 Hz) green
Clock hour position	2 h
Identification colour	Green
RAL-number	6025
Degree of protection (IP)	IP44
Connection system	Screwed terminal
Angle of plug	Straight
Cable entry	Anti-kink sleeve
Material	Plastic

## Dimension sheet



Amp.	16	16	32	32	32
Pole	4	5	3	4	5
d	165-176	165-176	189-199	189-199	189-199
Øe	65	65	72	72	72
e1	35	35	38,5	38,5	38,5
f	77	85	91	91	97
m	114	114	130	130	130
Øp	7,5 - 18,5	7,5 - 18,5	10 - 22,5	10 - 22,5	10 - 22,5