

PRODUCT DATA SHEET

Part number 330504

EAN 4015609016815

Manufacturer WALTHER-WERKE

WEEE-Reg.-Number: DE 22131895

Product description

Coupler 32A 5P 4h with external cable gland



Product image

Detailed product description

WALTHER Coupler 32A 5P 110V 4h IP44

made from PA6 material

with screw terminal

with external grommet





and an injected 2K seal

Increased safety due to two contact screws.

Ordering Information

Order unit	Piece
Customs number	85366990
Net weight	0,363 kg
Packing quantity (VPE)	10
Length of the packaging	0,31 m
Width of the packaging	0,195 m
Depth of the packaging	0,14 m
Gross weight(VPE)	3,778 kg

Certificates

VDE/ENEC certification	40024804	
UL certification	No. E329476	
EAC certification	BY112.02.01.020 06101	
CSA certification	70096522	

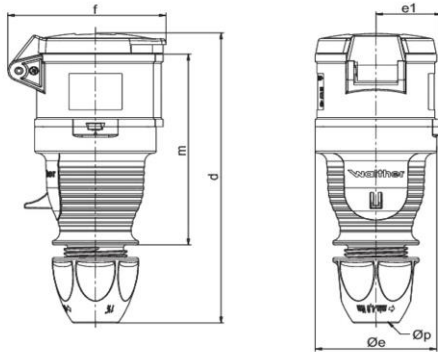
Classification system

Classification system	ETIM_6.0
ETIM Class	EC001320

Technical product data

IEC-amperage	32 A
Amperage acc. UL/CSA (for UL-version)	30 A
Number of poles	5
Voltage acc. EN 60309-2	110 V (50+60 Hz) yellow
Clock hour position	4 h
Identification colour	Yellow
RAL-number	1018
Degree of protection (IP)	IP44
Connection system	Screwed terminal
Angle of plug	Straight
Cable entry	Anti-kink sleeve
Material	Plastic

Dimension sheet



Amp.	16	16	32	32	32
Pole	4	5	3	4	5
d	165-176	165-176	189-199	189-199	189-199
Øe	65	65	72	72	72
e1	35	35	38,5	38,5	38,5
f	77	85	91	91	97
m	114	114	130	130	130
Øp	7,5 - 18,5	7,5 - 18,5	10 - 22,5	10 - 22,5	10 - 22,5