

PRODUCT DATA SHEET

Part number 330709

EAN 4015609016884

Manufacturer WALTHER-WERKE

WEEE-Reg.-Number: DE 22131895

Product description

Coupler 32A 7P 9h with external grommet



Product image

Detailed product description

WALTHER Coupler 32A 7P 230V 9h IP44

made from PA6 material

with screw terminal

with and an injected 2K seal

Increased safety due to two contact screws.

Ordering Information

Order unit	Piece
Customs number	85366990
Net weight	0,339 kg
Packing quantity (VPE)	10
Length of the packaging	0,31 m
Width of the packaging	0,195 m
Depth of the packaging	0,14 m
Gross weight(VPE)	3,538 kg

Classification system

Classification system ETIM_6.0

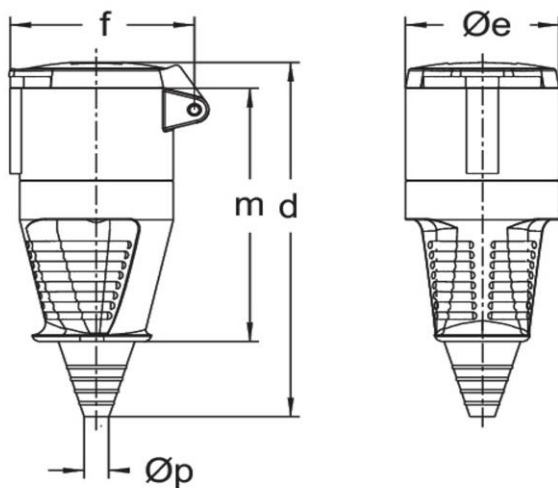
ETIM Class

EC001320

Technical product data

IEC-amperage	32 A
Amperage acc. UL/CSA (for UL-version)	30 A
Number of poles	7
Voltage acc. EN 60309-2	230 V (50+60 Hz) blue
Clock hour position	9 h
Identification colour	Blue
RAL-number	5002
Degree of protection (IP)	IP44
Connection system	Screwed terminal
Angle of plug	Straight
Cable entry	Anti-kink sleeve
Material	Plastic

Dimension sheet



Amp.	16	32
Pole	7	7
d	167	196
Øe	65	72
f	85	98
m	119	141
Øp	8/21	11/24