

PRODUCT DATA SHEET

Part number 330

EAN 4015609000456

Manufacturer WALTHER-WERKE

WEEE-Reg.-Number: DE 22131895

Product description

Coupler 32A 5P 6h with external cable gland



Product Image

Detailed product description

WALTHER Coupler 32A 5P 400V 6h IP44

made from PA6 material

with screw terminal

and external cable gland






Increased safety due to injected 2K seal

and two contact screws.

Ordering Information

Order unit	Piece
Customs number	85366990
Net weight	0,36 kg
Packing quantity (VPE)	10
Length of the packaging	0,31 m
Width of the packaging	0,255 m
Depth of the packaging	0,15 m
Gross weight(VPE)	3,796 kg

Certificates

VDE/ENEC certification	40024804	
UL certification	No. E329476	
CQC certification	2004010203136970	
EAC certification	BY112.02.01.020 06101	
CSA certification	70096522	

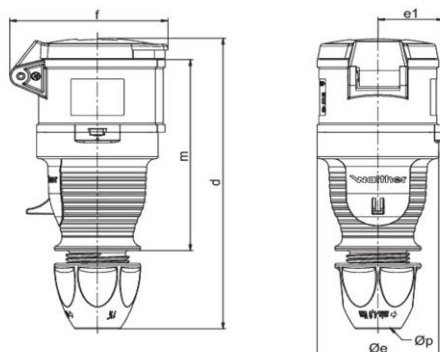
Classification system

Classification system	ETIM_6.0
ETIM Class	EC001320

Technical product data

IEC-amperage	32 A
Amperage acc. UL/CSA (for UL-version)	30 A
Number of poles	5
Voltage acc. EN 60309-2	400 V (50+60 Hz) red
Clock hour position	6 h
Identification colour	Red
RAL-number	3000
Degree of protection (IP)	IP44
Connection system	Screwed terminal
Angle of plug	Straight
Cable entry	Swivel
Material	Plastic

Dimension sheet



Amp.	16	16	32	32	32
Pole	4	5	3	4	5
d	165-176	165-176	189-199	189-199	189-199
Øe	65	65	72	72	72
e1	35	35	38,5	38,5	38,5
f	77	85	91	91	97
m	114	114	130	130	130
Øp	7,5 - 18,5	7,5 - 18,5	10 - 22,5	10 - 22,5	10 - 22,5