

## PRODUCT DATA SHEET

---

Part number 339

---

EAN 4015609000500

Manufacturer WALTHER-WERKE

WEEE-Reg.-Number: DE 22131895

### Product description

---

Waterproof coupler 32A 5P 6h with external cable gland



Product Image

### Detailed product description

---

WALTHER Coupler 32A 5P 400V 6h IP67

made from PA6 material

with screw terminal

and external cable gland

Increased safety due to injected 2K seal

and two contact screws.





### Ordering Information

---

Order unit	Piece
Customs number	85366990
Net weight	0,402 kg
Packing quantity (VPE)	10
Length of the packaging	0,385 m
Width of the packaging	0,19 m
Depth of the packaging	0,18 m
Gross weight(VPE)	4,222 kg

### Certificates

---

VDE/ENEC certification	40024804	
UL certification	No. E329476	
CQC certification	2004010203136980	
EAC certification	BY112.02.01.020 06101	
CSA certification	70096522	

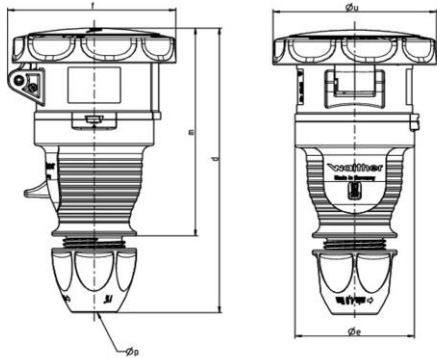
## Classification system

Classification system	ETIM_6.0
ETIM Class	EC001320

## Technical product data

IEC-amperage	32 A
Amperage acc. UL/CSA (for UL-version)	30 A
Number of poles	5
Voltage acc. EN 60309-2	400 V (50+60 Hz) red
Clock hour position	6 h
Identification colour	Red
RAL-number	3000
Degree of protection (IP)	IP67
Connection system	Screwed terminal
Angle of plug	Straight
Cable entry	Swivel
Material	Plastic

## Dimension sheet



<b>Amp.</b>	<b>16</b>	<b>16</b>	<b>32</b>	<b>32</b>
<b>Pole</b>	<b>4</b>	<b>5</b>	<b>3 / 4</b>	<b>5</b>
<b>d</b>	<b>150-161</b>	<b>150-161</b>	<b>174-183</b>	<b>174-183</b>
<b>Ø e</b>	<b>Ø 65</b>	<b>Ø 65</b>	<b>Ø 72</b>	<b>Ø 72</b>
<b>f</b>	<b>85</b>	<b>92</b>	<b>95</b>	<b>104</b>
<b>m</b>	<b>125</b>	<b>125</b>	<b>142</b>	<b>142</b>
<b>Ø u</b>	<b>Ø 81</b>	<b>Ø 89</b>	<b>Ø 95</b>	<b>Ø 100</b>
<b>Ø p</b>	<b>7,5 - 18,5</b>	<b>7,5 - 18,5</b>	<b>10 - 22,5</b>	<b>10 - 22,5</b>