

PRODUCT DATA SHEET

Part number 360304

EAN 4015609017508

Manufacturer WALThER-WERKE

WEEE-Reg.-Number: DE 22131895

Product description

Coupler 63A 3P 4h with external grommet



Similar image

Detailed product description

WALThER Coupler 63A 3P 110V 4h IP44
 made from PA6 material
 with screw terminal
 and grommet

Ordering Information

Order unit	Piece
Customs number	85366990
Net weight	0,672 kg
Packing quantity (VPE)	5
Length of the packaging	0,31 m
Width of the packaging	0,255 m
Depth of the packaging	0,15 m
Gross weight(VPE)	3,556 kg

Certificates

VDE certification 40000699



UL certification

No. E329476



EAC certification

BY112.02.01.020 06101



Classification system

Classification system

ETIM_6.0

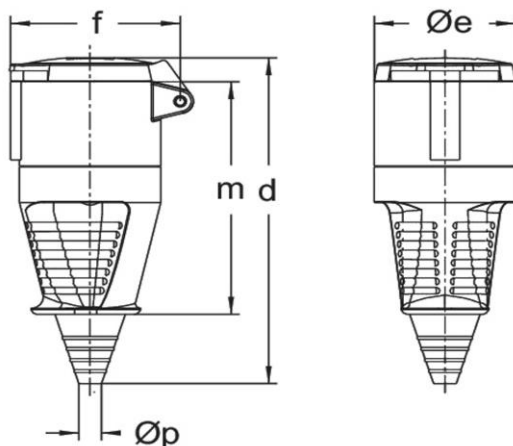
ETIM Class

EC001320

Technical product data

IEC-ampereage	63 A
Ampereage acc. UL/CSA (for UL-version)	60 A
Number of poles	3
Voltage acc. EN 60309-2	110 V (50+60 Hz) yellow
Clock hour position	4 h
Identification colour	Yellow
RAL-number	1018
Degree of protection (IP)	IP44
Connection system	Screwed terminal
Angle of plug	Straight
Cable entry	Anti-kink sleeve
Material	Plastic

Dimension sheet



Amp.	16	63		
	3	3	4	5
d	154	266	266	266
Øe	51	96	96	96
f	68	114	114	114
m	109	196	196	196
Øp	7/13	15/33	15/33	15/33