

PRODUCT DATA SHEET

Part number 360406

EAN 4015609017553

Manufacturer WALTHER-WERKE

WEEE-Reg.-Number: DE 22131895

Product description

Coupler 63A 4P 6h with external grommet



Similar image

Detailed product description

WALTHER Coupler 63A 4P 400V 6h IP44
 made from PA6 material
 with screw terminal
 with and an injected 2K seal
 Increased safety due to two contact screws.

Ordering Information

Order unit	Piece
Customs number	85366990
Net weight	0,719 kg
Packing quantity (VPE)	5
Length of the packaging	0,31 m
Width of the packaging	0,255 m
Depth of the packaging	0,15 m
Gross weight(VPE)	3,791 kg

Certificates

VDE certification 40000699



UL certification

No. E329476



EAC certification

BY112.02.01.020 06101



Classification system

Classification system

ETIM_6.0

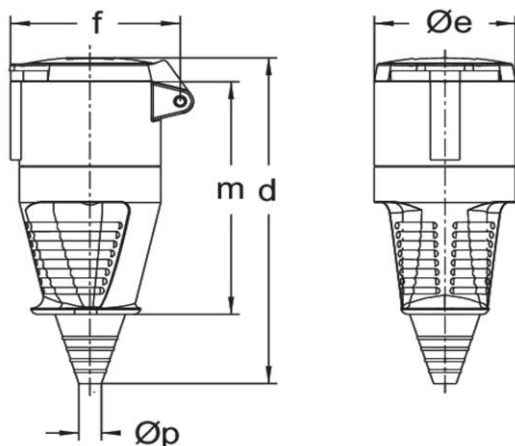
ETIM Class

EC001320

Technical product data

IEC-amperage	63 A
Amperage acc. UL/CSA (for UL-version)	60 A
Number of poles	4
Voltage acc. EN 60309-2	400 V (50+60 Hz) red
Clock hour position	6 h
Identification colour	Red
RAL-number	3000
Degree of protection (IP)	IP44
Connection system	Screwed terminal
Angle of plug	Straight
Cable entry	Anti-kink sleeve
Material	Plastic

Dimension sheet



Amp.	63			
	16	3	4	5
Pole	3	3	4	5
d	154	266	266	266
Øe	51	96	96	96
f	68	114	114	114
m	109	196	196	196
Øp	7/13	15/33	15/33	15/33