

PRODUCT DATA SHEET

| | |
|-------------------|---------------|
| Part number | 418306LG |
| EAN | 4015609173648 |
| Manufacturer | WALTHER-WERKE |
| WEEE-Reg.-Number: | DE 22131895 |

Product description

MONDO wall socket 16A 3P 6h built-in with flush-mounted socket and plaster-compensating flange, small version, in light grey



Product image



Detailed product description

WALTHER Wall socket 16A 3P 230V 6h IP44
 from the MONDO series
 made from PA6 material
 small version
 flush-mounted
 in light grey (RAL 7035)
 with flush-mounted socket
 and plaster-compensating flange
 outer dimensions 80x70
 The flat cover allows a low housing height
 and is therefore suitable for prestigious areas.

Ordering Information

| | |
|-------------------------|----------|
| Order unit | Piece |
| Customs number | 85366990 |
| Net weight | 0,157 kg |
| Packing quantity (VPE) | 10 |
| Length of the packaging | 0,31 m |
| Width of the packaging | 0,195 m |
| Depth of the packaging | 0,14 m |
| Gross weight(VPE) | 1,718 kg |

Certificates

| | | |
|-------------------|-----------------------|---|
| VDE certification | 123017 |  |
| EAC certification | BY112.02.01.020 06089 |  |

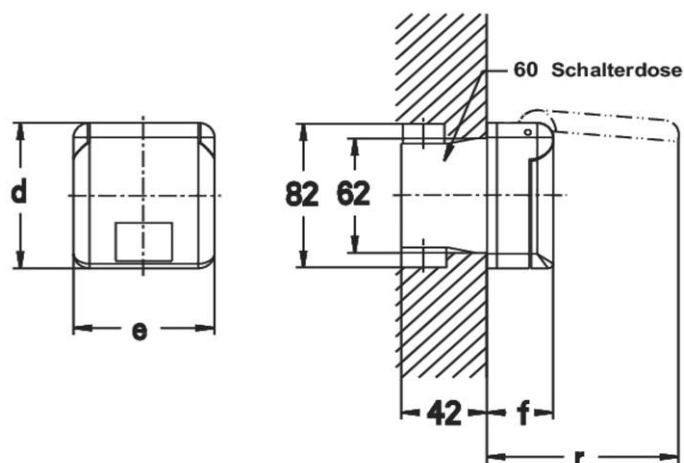
Classification system

| | |
|-----------------------|----------|
| Classification system | ETIM_6.0 |
| ETIM Class | EC001318 |

Technical product data

| | |
|-------------------------|----------------------------------|
| Current supply | CEE 16 A |
| Number of poles | 3 |
| Voltage acc. EN 60309-2 | 230 V (50+60 Hz) blue |
| Clock hour position | 6 h |
| Identification colour | Blue |
| Construction type | Flush mounted socket with UP box |
| Configuration | Closed cover |
| Colour | Grey |
| RAL-number | 7035 |

Dimension sheet



| | |
|------|----|
| Amp. | 16 |
| Pole | 3 |
| d | 80 |
| e | 70 |
| f | 33 |
| r | 96 |