

## PRODUCT DATA SHEET

---

Part number	436306RW
EAN	4015609173617
Manufacturer	WALTHER-WERKE
WEEE-Reg.-Number:	DE 22131895

### Product description

---

MONDO wall socket 32A 3P 6h built-in with flush-mounted socket and plaster-compensating flange in pure white



Similar image

### Detailed product description

---

WALTHER Wall socket 32A 3P 230V 6h IP44

from the MONDO series  
 made from PA6 material  
 flush-mounted  
 in pure white (RAL 9010)  
 with flush-mounted socket  
 and plaster-compensating flange  
 outer dimensions 90x90



The flat cover allows a low housing height  
 and is therefore suitable for prestigious areas

### Ordering Information

---

Order unit	Piece
Customs number	85366990
Net weight	0,361 kg
Packing quantity (VPE)	5
Length of the packaging	0,31 m
Width of the packaging	0,255 m
Depth of the packaging	0,15 m
Gross weight(VPE)	2,001 kg

## Certificates

VDE certification	123021	
EAC certification	BY112.02.01.020 06089	

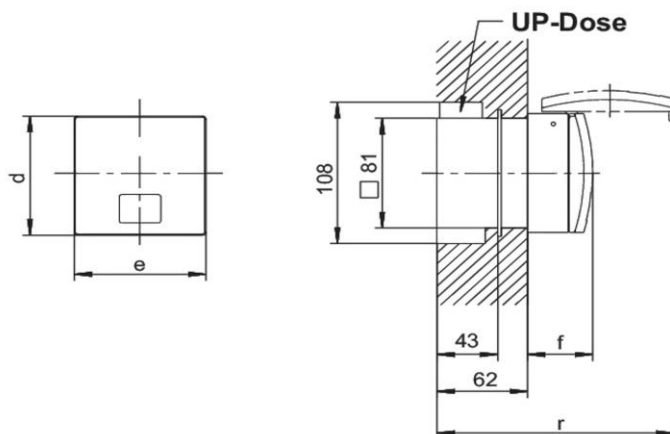
## Classification system

Classification system	ETIM_6.0
ETIM Class	EC001318

## Technical product data

Current supply	CEE 32 A
Number of poles	3
Voltage acc. EN 60309-2	230 V (50+60 Hz) blue
Clock hour position	6 h
Identification colour	Blue
Construction type	Flush mounted socket with UP box
Configuration	Closed cover
Colour	White
RAL-number	9010

## Dimension sheet



Amp.	32		
Pole	3	4	5
d	90	90	90
e	90	90	90
f	45	45	45
r	104	104	104