

PRODUCT DATA SHEET

Part number 436

EAN 4015609000647

Manufacturer WALTHER-WERKE

WEEE-Reg.-Number: DE 22131895

Product description

MONDO wall socket 32A 5P 6h built-in with flush-mounted socket and plaster-compensating flange in pearl white



Product Image

Detailed product description

WALTHER Wall socket 32A 5P 400V 6h IP44

from the MONDO series

made from PA6 material

in pearl white (RAL 1013)

with flush-mounted socket

and plaster-compensating flange

outer dimensions 90x90mm



The flat cover allows a low housing height

and is therefore suitable for prestigious areas.

Ordering Information

Order unit	Piece
Customs number	85366990
Net weight	0,369 kg
Packing quantity (VPE)	5
Length of the packaging	0,31 m
Width of the packaging	0,195 m
Depth of the packaging	0,14 m
Gross weight(VPE)	1,993 kg

Certificates

VDE certification	123021	
EAC certification	BY112.02.01.020 06089	

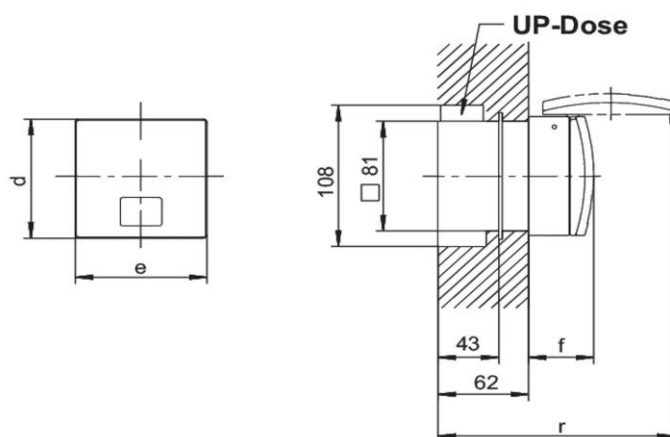
Classification system

Classification system	ETIM_6.0
ETIM Class	EC001318

Technical product data

Current supply	CEE 32 A
Number of poles	5
Voltage acc. EN 60309-2	400 V (50+60 Hz) red
Clock hour position	6 h
Identification colour	Red
Construction type	Flush mounted socket with UP box
Configuration	Closed cover
Colour	White
RAL-number	1013

Dimension sheet



Amp.	32		
Pole	3	4	5
d	90	90	90
e	90	90	90
f	45	45	45
r	104	104	104