

## PRODUCT DATA SHEET

---

Part number 460306

---

EAN 4015609020287

Manufacturer WALTHER-WERKE

WEEE-Reg.-Number: DE 22131895

### Product description

---

Panel socket straight 63A 3P 6h with flange  
 107x100mm



Product image

### Detailed product description

---

WALTHER Panel socket 63A 3P 230V 6h IP44  
 straight  
 made from PA6 material  
 finger-safe in accordance with BGV A3  
 soft transition  
 radius from flange to collar  
 flange 107x100  
 fixing center 85x77




### Ordering Information

---

Order unit	Piece
Customs number	85366990
Net weight	0,586 kg
Packing quantity (VPE)	5
Length of the packaging	0,31 m
Width of the packaging	0,255 m
Depth of the packaging	0,15 m
Gross weight(VPE)	3,126 kg

### Certificates

---

VDE certification	40000707	
UL certification	No. E83342	
EAC certification	BY112.02.01.020 06089	

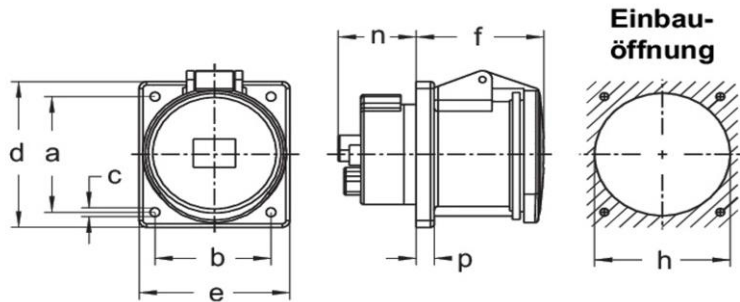
## Classification system

Classification system	ETIM_6.0
ETIM Class	EC001317

## Technical product data

IEC-amperage	63 A
Amperage acc. UL/CSA (for UL-version)	60 A
Number of poles	3
Voltage acc. EN 60309-2	230 V (50+60 Hz) blue
Clock hour position	6 h
Identification colour	Blue
RAL-number	5002
Degree of protection (IP)	IP44
Connection system	Screwed terminal
Angle of plug	Straight
Material	Plastic
Military model	False
Flange size vertical	107 mm
Drill hole distance vertical	85 mm
Flange size horizontal	100 mm
Drill hole distance horizontal	77 mm

## Dimension sheet



Amp.	63		
Pole	3	4	5
a	85	85	85
b	77	77	77
c	6,5	6,5	6,5
d	107	107	107
e	100	100	100
f	85	85	85
h	90	90	90
n	52	52	52
p	12	12	12