

PRODUCT DATA SHEET

| | |
|-------------------|---------------|
| Part number | 479404 |
| EAN | 4015609020683 |
| Manufacturer | WALTHER-WERKE |
| WEEE-Reg.-Number: | DE 22131895 |

Product description

Waterproof panel socket straight 125A 4P 4h with flange 114x114mm



Similar image




Detailed product description

WALTHER Panel socket 125A 4P 110V 4h IP67
 straight
 made from PA6 material
 back-of-hand-proof in accordance with BGV A3
 soft transition
 radius from flange to collar
 flange 114x114
 fixing center 90x90, with multi-contact

Ordering Information

| | |
|-------------------------|----------|
| Order unit | Piece |
| Customs number | 85366990 |
| Net weight | 1,155 kg |
| Packing quantity (VPE) | 2 |
| Length of the packaging | 0,31 m |
| Width of the packaging | 0,195 m |
| Depth of the packaging | 0,14 m |
| Gross weight(VPE) | 2,458 kg |

Certificates

| | | |
|-------------------|-----------------------|---|
| VDE certification | 123029 |  |
| UL certification | No. E83342 |  |
| EAC certification | BY112.02.01.020 06089 |  |

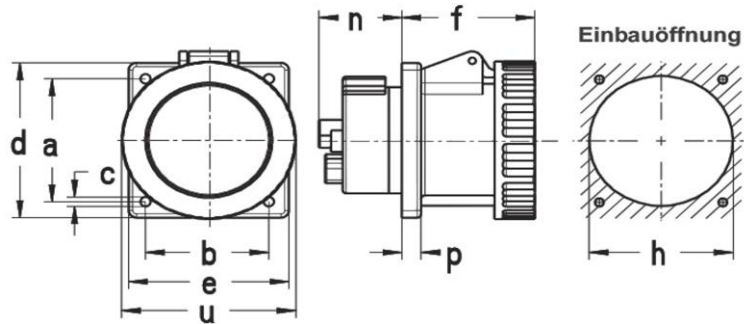
Classification system

| | |
|-----------------------|----------|
| Classification system | ETIM_6.0 |
| ETIM Class | EC001317 |

Technical product data

| | |
|---------------------------------------|-------------------------|
| IEC-amperage | 125 A |
| Amperage acc. UL/CSA (for UL-version) | 100 A |
| Number of poles | 4 |
| Voltage acc. EN 60309-2 | 110 V (50+60 Hz) yellow |
| Clock hour position | 4 h |
| Identification colour | Yellow |
| RAL-number | 1018 |
| Degree of protection (IP) | IP67 |
| Connection system | Screwed terminal |
| Angle of plug | Straight |
| Material | Plastic |
| Military model | False |
| Flange size vertical | 114 mm |
| Drill hole distance vertical | 90 mm |
| Flange size horizontal | 114 mm |
| Drill hole distance horizontal | 90 mm |

Dimension sheet



| Amp. | 125 | | |
|------|-----|-----|-----|
| Pole | 3 | 4 | 5 |
| a | 90 | 90 | 90 |
| b | 90 | 90 | 90 |
| c | 6,5 | 6,5 | 6,5 |
| d | 114 | 114 | 114 |
| e | 114 | 114 | 114 |
| f | 96 | 96 | 96 |
| h | 90 | 90 | 90 |
| n | 64 | 64 | 64 |
| p | 12 | 12 | 12 |
| u | 130 | 130 | 130 |