

## PRODUCT DATA SHEET

---

Part number 512309

---

EAN 4015609128846

Manufacturer WALTHER-WERKE

WEEE-Reg.-Number: DE 22131895

### Product description

---

Panel socket angled 16A 3P 9h with flange  
 68x62mm and eye for padlock



Similar image

### Detailed product description

---

WALTHER Panel socket 16A 3P 400V 9h IP44  
 angled  
 made from PA6 material  
 with eye for padlock  
 lockable with plug 212306/212304/212309  
 soft transition  
 radius from flange to collar  
 flange 68x62  
 fixing center 47x47mm

### Ordering Information

---

Order unit	Piece
Customs number	85366990
Net weight	0,12 kg
Packing quantity (VPE)	10
Length of the packaging	0,31 m
Width of the packaging	0,163 m
Depth of the packaging	0,113 m
Gross weight(VPE)	1,312 kg

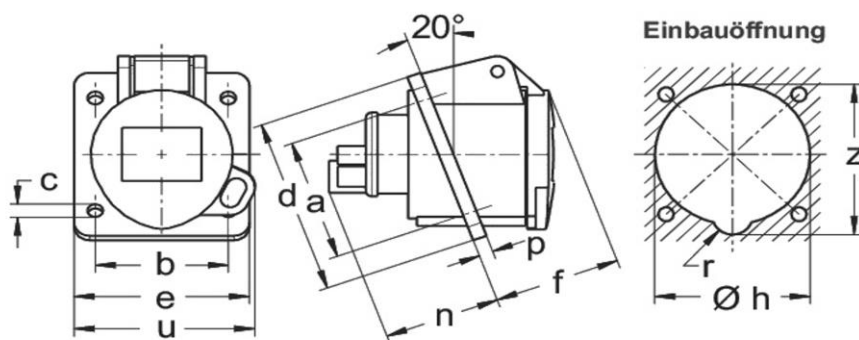
## Classification system

Classification system	ETIM_6.0
ETIM Class	EC001317

## Technical product data

IEC-ampereage	16 A
Amperage acc. UL/CSA (for UL-version)	20 A
Number of poles	3
Voltage acc. EN 60309-2	400 V (50+60 Hz) red
Clock hour position	9 h
Identification colour	Red
RAL-number	3000
Degree of protection (IP)	IP44
Connection system	Screwed terminal
Angle of plug	Angled
Material	Plastic
Military model	False
Flange size vertical	68 mm
Drill hole distance vertical	47 mm
Flange size horizontal	62 mm
Drill hole distance horizontal	47 mm

## Dimension sheet



<b>Amp.</b>	<b>16</b>
<b>Pole</b>	<b>3</b>
a	47
b	47
c	5,5
d	68
e	62
f	46
h	55
n	41
p	5
r	5
u	65
z	58