

## PRODUCT DATA SHEET

---

Part number 610304

---

EAN 4015609023042

Manufacturer WALTHER-WERKE

WEEE-Reg.-Number: DE 22131895

### Product description

---

Wall appliance inlet for external fixing 16A 3P 4h with one top cable entry



Product image

### Detailed product description

---

WALTHER Wall appliance inlet 16A 3P 110V 4h IP44  
 made from PA6 material  
 for external fixing  
 and with one top cable entry

### Ordering Information

---

Order unit	Piece
Customs number	85366990
Net weight	0,126 kg
Packing quantity (VPE)	10
Length of the packaging	0,31 m
Width of the packaging	0,163 m
Depth of the packaging	0,113 m
Gross weight(VPE)	1,372 kg

### Certificates

---

VDE certification 123018



CQC certification

2004010203136930



EAC certification

BY112.02.01.020 06091



## Classification system

Classification system

ETIM\_6.0

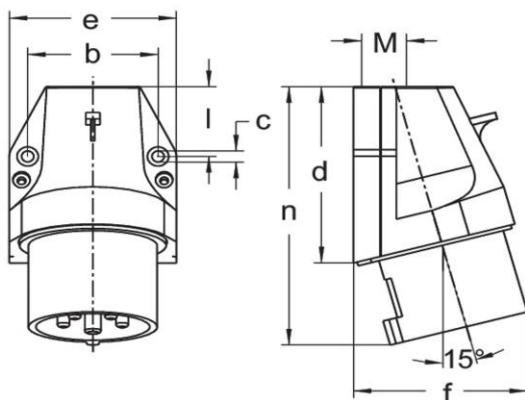
ETIM Class

EC001319

## Technical product data

IEC-amperage	16 A
Amperage acc. UL/CSA (for UL-version)	20 A
Number of poles	3
Voltage acc. EN 60309-2	110 V (50+60 Hz) yellow
Clock hour position	4 h
Identification colour	Yellow
RAL-number	1018
Degree of protection (IP)	IP44
Connection system	Screwed terminal
Connection type	Wall mounted plug
Angle of plug	Angled
Material	Plastic

## Dimension sheet



Amp.	16			32		
	3	4	5	3	4	5
b	45,5	60	60	60	60	60
c	5,3	5,3	5,3	5,3	5,3	5,3
d	74	80	80	97	97	97
e	60	74	74	82	82	82
f	60	73	73	80	80	86
l	28	31	31	45	45	45
n	110	117	117	141	141	141
M	20	20	20	25	25	25