

## PRODUCT DATA SHEET

---

Part number **610309**

EAN **4015609023097**

Manufacturer **WALTER-WERKE**

WEEE-Reg.-Number: **DE 22131895**

### Product description

---

Wall appliance inlet for external fixing 16A 3P 9h with one top cable entry



Product image

### Detailed product description

---

WALTER Wall appliance inlet 16A 3P 400V 9h IP44  
 made from PA6 material  
 for external fixing  
 and with one top cable entry



### Ordering Information

---

Order unit	Piece
Customs number	85366990
Net weight	0,126 kg
Packing quantity (VPE)	10
Length of the packaging	
Width of the packaging	
Depth of the packaging	
Gross weight(VPE)	1,26 kg

### Certificates

---

VDE certification	123018	
EAC certification	BY112.02.01.020 06091	

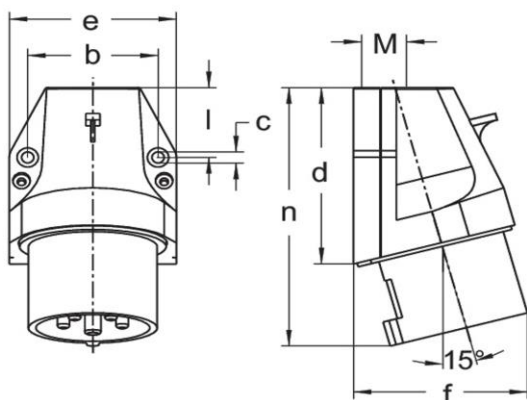
## Classification system

Classification system	ETIM_6.0
ETIM Class	EC001319

## Technical product data

IEC-amperage	16 A
Amperage acc. UL/CSA (for UL-version)	20 A
Number of poles	3
Voltage acc. EN 60309-2	400 V (50+60 Hz) red
Clock hour position	9 h
Identification colour	Red
RAL-number	3000
Degree of protection (IP)	IP44
Connection system	Screwed terminal
Connection type	Wall mounted plug
Angle of plug	Angled
Material	Plastic

## Dimension sheet



Amp.	16			32		
	3	4	5	3	4	5
b	45,5	60	60	60	60	60
c	5,3	5,3	5,3	5,3	5,3	5,3
d	74	80	80	97	97	97
e	60	74	74	82	82	82
f	60	73	73	80	80	86
l	28	31	31	45	45	45
n	110	117	117	141	141	141
M	20	20	20	25	25	25