

PRODUCT DATA SHEET

Part number 614500

EAN 4015609023615

Manufacturer WALTHER-WERKE

WEEE-Reg.-Number: DE 22131895

Product description

Protective cap 16A 5P IP44 for plugs and appliance inlets, with fixing set



Product image

Detailed product description

WALTHER Protective cap 16A 5P IP44
 made from PA6 material
 for plugs and appliance inlets
 with fixing set

Ordering Information

Order unit	Piece
Customs number	85366990
Net weight	0,0468 kg
Packing quantity (VPE)	10
Length of the packaging	
Width of the packaging	
Depth of the packaging	
Gross weight(VPE)	0,468 kg

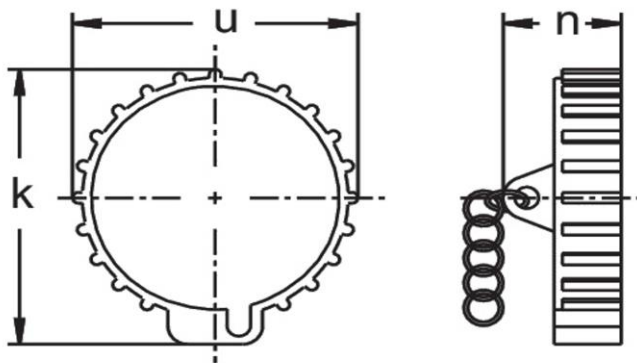
Classification system

Classification system	ETIM_6.0
ETIM Class	EC002313

Technical product data

Nominal current	16 A
Number of poles	5
Degree of protection (IP)	IP44

Dimension sheet



Amp.	16	
Pole	3	5
k	48	60
n	24	20
u	52	65