

## PRODUCT DATA SHEET

---

Part number 639306

---

EAN 4015609024735

Manufacturer WALTHER-WERKE

WEEE-Reg.-Number: DE 22131895

### Product description

---

Waterproof panel appliance inlet angled 32A 3P  
 6h with screwed flange housing 75x90mm



Product image

### Detailed product description

---

WALTHER Panel appliance inlet 32A 3P 230V 6h IP67  
 angled  
 made from PA6 material  
 with screwed flange housing  
 flange 75x90  
 fixing center 45x78





### Ordering Information

---

Order unit	Piece
Customs number	85366990
Net weight	0,281 kg
Packing quantity (VPE)	5
Length of the packaging	0,31 m
Width of the packaging	0,255 m
Depth of the packaging	0,15 m
Gross weight(VPE)	1,601 kg

### Certificates

---

VDE certification	123022	
UL certification	No. E83342	
UL certification	No. E188992	
EAC certification	BY112.02.01.020 06091	

## Classification system

---

Classification system	ETIM_6.0
ETIM Class	EC001319

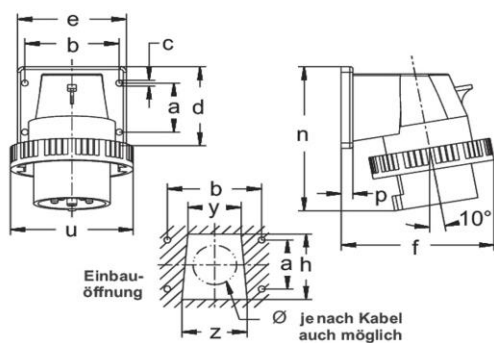
## Technical product data

---

IEC-amperage	32 A
Amperage acc. UL/CSA (for UL-version)	30 A
Number of poles	3
Voltage acc. EN 60309-2	230 V (50+60 Hz) blue
Clock hour position	6 h
Identification colour	Blue
RAL-number	5002
Degree of protection (IP)	IP67
Connection system	Screwed terminal
Connection type	Built-up device plug
Angle of plug	Angled
Material	Plastic

## Dimension sheet

---



Amp.	16			32			63		
Pole	3	4	5	3	4	5	3	4	5
a	30	40	40	45	45	45	90	90	90
b	55	68	68	78	78	78	90	90	90
c	5,5	5,5	5,5	5,5	5,5	5,5	6,2	6,2	6,2
d	52	66	66	75	75	75	114	114	114
e	65	80	80	90	90	90	114	114	114
f	81	99	103	111	111	117	129	129	129
h	38	52	52	60	60	60	70	70	70
n	98	111	113	131	131	131	184	184	184
p	9,5	9,5	9,5	9,5	9,5	9,5	6	6	6
u	72	81	88	96	96	103	110	110	110
y	30	38	38	44	44	44	56	56	56
z	36	46	46	54	54	54	65	65	65