

PRODUCT DATA SHEET

Part number 639403

EAN 4015609024759

Manufacturer WALTHER-WERKE

WEEE-Reg.-Number: DE 22131895

Product description

Waterproof panel appliance inlet angled 32A 4P
 3h with screwed flange housing 75x90mm



Product image




Detailed product description

WALTHER Panel appliance inlet 32A 4P 400-440V 3h IP67
 angled
 made from PA6 material
 with screwed flange housing
 flange 75x90
 fixing center 45x78

Ordering Information

Order unit	Piece
Customs number	85366990
Net weight	0,259 kg
Packing quantity (VPE)	5
Length of the packaging	0,31 m
Width of the packaging	0,255 m
Depth of the packaging	0,15 m
Gross weight(VPE)	1,491 kg

Certificates

UL certification	No. E83342	
UL certification	No. E188992	
EAC certification	BY112.02.01.020 06091	

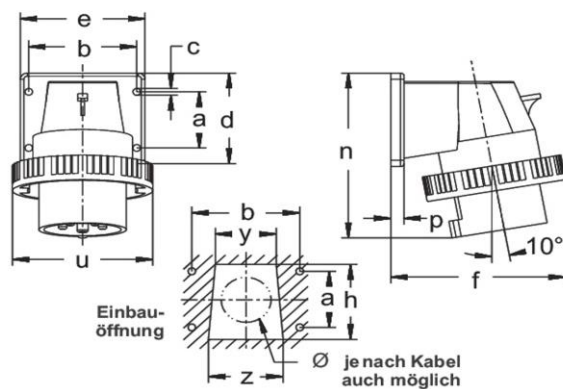
Classification system

Classification system	ETIM_6.0
ETIM Class	EC001319

Technical product data

IEC-amperage	32 A
Amperage acc. UL/CSA (for UL-version)	30 A
Number of poles	4
Voltage acc. EN 60309-2	400-440 V (50+60 Hz) red
Clock hour position	3 h
Identification colour	Red
RAL-number	3000
Degree of protection (IP)	IP67
Connection system	Screwed terminal
Connection type	Built-up device plug
Angle of plug	Angled
Material	Plastic

Dimension sheet



Amp.	32
Pole	4
a	45
b	78
c	5,5
d	75
e	90
f	111
h	60
n	131
p	9,5
u	96
y	44
z	54

Befestigungsmaß = a + b,
 Flanschmaß = d + e